

Medical IT System Intelligent Insulation  
Monitoring Devices  
(M10 Five-Piece Set)

Installation and Operation Manual V1.1

## **Declaration**

Please read this instruction carefully before using this product. All pictures, logos and symbols involved are owned by Acrel Co., Ltd. All or part of the content shall not be reproduced publicly without written authorization by non-company personnel.

Please read the instructions and precautions in this operation manual carefully before using this series of products. Acrel will not be responsible for personal injury or economic loss caused by ignoring the instructions in this operation manual.

The equipment is professional electrical equipment, any related operation, need to be carried out by special electrical technicians. Acrel is not responsible for personal injury or financial loss resulting from the error of non-professional personnel.

The contents of this description will be updated and amended constantly, and it is inevitable that there will be a slight discrepancy between the physical product and the description in the product function upgrading. Please refer to the physical product purchased and obtain the latest version of the description through [www.acrel-electric.com](http://www.acrel-electric.com) or sales channels.



# Contents

1 Introduction.....	1
2 Function Features.....	2
2.1 Function Features of AITR series Medical Isolation Transformer .....	2
2.2 Function Features of AIM-M10 .....	2
2.3 Function Features of AID10/150.....	3
2.4 Function Features of ACLP10-24 .....	3
2.5 Function Features of AKH-0.66P26 current transformer.....	3
3 Reference Standard .....	3
4 Technical Parameters .....	4
4.1 Technical Parameters of AITR series Medical Isolation Transformer .....	4
4.2 Technical Parameters of AIM-M10 Medical Insulation Monitor .....	4
4.3 Technical Parameters of AID10/AID150 .....	5
4.4 Technical Parameters of ACLP10-24.....	5
4.5 Technical Parameters of AKH-0.66P26 current transformer .....	5
5 Installation and Wiring.....	6
5.1 Shape and Mounting Hole Size.....	6
5.2 Installation Method .....	8
5.3 Wiring Method .....	11
5.4 Typical Wiring Diagram.....	13
5.5 Considerations.....	14
6 Programming and Application .....	15
6.1 Panel Description .....	15
6.2 LED Indicator Instructions.....	16
6.3 Button Function Descriptions .....	17
6.4 Button Operation Descriptions.....	18
7 Communication Protocol .....	22
7.1 Modbus-RTU Communication Protocol.....	22
7.2 Introduction to the Function Code .....	22
7.3 AIM-M10 Parameter Address Table .....	23
8 Typical Applications.....	24
9 Power On and Debugging Instructions .....	26
9.1 Wiring Check .....	26
9.2 Common Faults and Eliminations.....	26
9.3 Settings and debugging .....	27

## Medical IT System Intelligent Insulation Monitoring Devices




### 1 Introduction




Medical IT systems are primarily used in critical medical locations such as operating rooms, ICU/CCU intensive care units to provide safe, reliable, and continuous distribution of critical equipment in these locations.

Medical insulation monitoring products are developed by Acrel according to the special requirements of insulation resistance of distribution system in medical type places with many years of design experience in the power meter industry. It can be used for isolating power system in various operating rooms and intensive care units in medical places, realizing real-time monitoring of system insulation, load, isolation transformer temperature and other operating conditions, as well as remote monitoring. Products comply with the enterprise standard Q31/0114000129C013-2016 *IT System Insulation Monitor* provisions.

Insulation monitoring products of medical IT system (M10 Five-Piece Set) include AITR series medical isolation transformer, AIM-M10 medical intelligent insulation monitor (IMD), AKH-0.66P26 current transformer, ACLP10-24 DC power module and AID series (AID10, AID150) external alarm and display instrument, etc., as shown in Table 1.

Table 1 Medical IT System Insulation Monitoring Products

Type & Name	Picture	Description
AITR series Medical isolation transformer		AITR series isolation transformer is specially used in medical IT system. The windings are treated with double insulation and have electrostatic shielding layer, which reduces electromagnetic interference between windings. The Pt100 temperature sensor is installed in the wire bag to monitor the temperature of transformer. The whole body is treated with vacuum invasion paint, which increases mechanical strength and corrosion resistance. The product has good temperature rise performance and very low noise.
AIM-M10 Insulation monitoring instrument		The AIM-M10 medical intelligent insulation monitor is compact in size, easy to install, intelligent, digital, and networked, and is an ideal choice for insulation monitoring of isolation power supply systems in operating rooms, intensive care units and other medical places.
AKH-0.66P26 current transformer		The AKH-0.66P26 type current transformer is the protective current transformer supporting the AIM-M10 insulation monitor, of which the maximum measurable current is 60A and the transformation ratio is 2000:1. Shielded twisted-pair cables are standard for secondary cables which is convenient to install and use.

<p>ACLP10-24 DC power module</p>		<p>Special DC module for instrument, stable output voltage. The module adopts the standard guide way to install, and can be installed on the same guide way with the insulation monitor, easy to install.</p>	
<p>AID series alarm and display instrument</p>	<p>AID10</p>		<p>It is suitable for wall installation embedded in operating room or nurse station and can monitor single AIM-M10 insulation monitor. It has sound and light alarm function of insulation, overload, overtemperature and equipment failure, digital tube display and RS485 communication.</p>
	<p>AID150</p>		<p>LCD display, RS485 bus, centralized monitoring of up to 16 SETS of AIM-M10 medical intelligent insulation monitor data, sound and light alarm can be remote. The AID150 can also monitor data from multiple AIM-R100 residual current monitors.</p>

## 2 Function Features

### 2.1 Function Features of AITR series Medical Isolation Transformer

- The transformation ratio between the primary and secondary windings is 1:1.
- Double insulation treatment is adopted between the windings, and the electrostatic shielding layer is designed.
- The Pt100 temperature sensor is installed in each wire packet to monitor the temperature of the isolation transformer.
- Used for the transformation of TN into IT system (ungrounded system) after isolation transformer.

### 2.2 Function Features of AIM-M10

- Real time monitoring of IT system to ground insulation resistance, transformer load current, transformer winding temperature, and give alarm indication when fault occurs;
- The real-time monitoring system wire break fault, temperature sensor wire break fault and function ground wire break fault, and give alarm indication when the fault occurs;
- Relay output, LED indicator and other fault indication;
- Modbus, which communicates with external alarm and display instrument, can monitor the operation of IT system remotely;
- Event record, including the time and type of the alarm, is convenient for the operator to analyze the operation status of the system and eliminate the fault in time;
- DC24V power output function can provide power for external alarm and display instrument.

### 2.3 Function Features of AID10/150

- The insulation resistance alarm value, load current alarm value and transformer temperature alarm value of the system can be set remotely;
- When the system appears insulation fault, overload, transformer temperature over limit and wiring fault, alarm and display instrument give out the corresponding sound and light alarm, and has the function of eliminating sound alarm;
- Using advanced fieldbus technology, the remote monitoring function can be realized by real-time data interaction with the insulation monitor.

Table 2 Functional Description of AID Series Products

Model	Selection Description
AID10	It can monitor one set of AIM-M10 insulation monitor and be used for installation by embedding into wall.
AID150	It can monitor 16 sets of AIM-M10 insulation monitoring instruments to the maximum and AIM-R100 residual current monitor which can be used for installation by embedding into wall. It is fit for the centralized monitoring on operating room or ICU or other sites.

### 2.4 Function Features of ACLP10-24

- To employ isolated linear transformer with the characteristics of strong capacity of resisting disturbance and small ripple.
- AC 220V input, DC 24V output, with max output power of 3W.
- Used for the DC 24V power supply for AID series centralized alarm and display instrument.

### 2.5 Function Features of AKH-0.66P26 current transformer

- The maximum measurable current is 60A, and the transformation change ratio is 2000:1.
- Work with the AIM-M10 insulation monitor to measure the load current of isolation transformer.

## 3 Reference Standard

- IEC 60364-7-710 *Building electrical installations section 7-710: Requirements for special installations or locations----medical locations;*
- IEC 61557-8 *Electrical safety of low voltage distribution system below AC 1000V and DC 1500V, Test, measurement or monitoring equipment for protection test section 8: Insulation monitoring device for IT systems;*
- IEC 61557-9 *Electrical safety of low voltage distribution system below AC 1000V and DC 1500V, Test, measurement or monitoring equipment for protection test section 9: insulation fault positioning equipment for IT systems;*
- IEC61558-1 *Safety of power transformers, power supplies, reactors and similar products section 1: General requirements and tests;*
- IEC61558-2-15 *Safety of power transformers, power supplies and similar products section 16: Special requirements for isolation transformers for power supply in medical locations.*

## 4 Technical Parameters

### 4.1 Technical Parameters of AITR series Medical Isolation Transformer

Refer to Table 3.

Table 3 Technical Parameters of AITR Series of Medical Isolation Transformer

Type	AITR10000S	AITR8000S	AITR6300S	AITR5000S	AITR3150S
Insulation class	F	F	F	F	F
Protection class	IP00	IP00	IP00	IP00	IP00
<b>Power/voltage/ current</b>					
Rated power	10000VA	8000VA	6300VA	5000VA	3150VA
Rated frequency	50~60Hz	50~60Hz	50~60Hz	50~60Hz	50~60Hz
Rated input voltage	AC230V	AC230V	AC230V	AC230V	AC230V
Rated input current	45.3A	36A	28.5A	22.5	14.2A
Rated output voltage	AC230V/115V	AC230V/115V	AC230V/115V	AC230V/115V	AC230V/115V
Rated output current	43.5A	34.7A	27.4A	21.7	13.7A
Inrush current	<12In	<12In	<12 In	<12 In	<12In
Leakage current	<500μA	<500μA	<500μA	<500μA	<500μA
No load input current	1.359A	1.08A	0.855A	0.675A	0.426A
No load output voltage	234V±3%	234V±3%	234V±3%	234V±3%	234V±3%
Short circuit voltage	<9.2V	<9.2V	<9.2V	<9.2V	<9.2V
<b>General parameters</b>					
Fuse wire	80A	63A	50A	35A	25A
Primary winding resistance	<55mΩ	<64mΩ	<80mΩ	<131 mΩ	<245mΩ
Secondary winding resistance	<45mΩ	<64mΩ	<80mΩ	<116 mΩ	<228mΩ
Iron loss	<80W	<65W	<60W	<50W	<30W
Copper loss	<450W	<345W	<277W	<255W	<175W
Efficiency	>96%	>96%	>96%	>96%	>95%
Maximum ambient temperature	<40°C	<40°C	<40°C	<40°C	<40°C
No-load temperature rise	<80K	<80K	<80K	<80K	<80K
Full load temperature rise	<40dB	<40dB	<40dB	<40dB	<40dB

### 4.2 Technical Parameters of AIM-M10 Medical Insulation Monitor

Refer to Table 4.

Table 4 Technical Parameters of AIM-M10 Medical Intelligent Insulation Monitoring

Auxiliary power supply	Voltage	AC220V (±10%)	Temperature measurement	Thermistor	Pt100
	Frequency	50/60Hz		Measuring range	-50~+200°C
	Power consumption	<5W		Alarm value range	0~+200°C



Insulation monitoring	Measuring range	10~999kΩ	Alarm output	Output mode	1 relay output
	Absolute percentage	0~±10%		Contact capacity	AC 250V/3A DC 30V/3A
	Alarm value	50~999kΩ	Environment	Operating temperature	-10~+55°C
	Response time	<2s		Storage temperature	-20~+70°C
	Measuring voltage	<12V		Relative humidity	5~95%, non-condensate
	Measuring current	<42μA		Altitude	≤2500m
Load current	Measuring range	2.1~50A	Communication		RS485, Modbus-RTU
	Alarm value	5~50A	Rated impulse voltage/pollution degree		4KV/III
	Measuring accuracy	≤±5%	EMC/EMR		Conform to IEC 61326-2-4

#### 4.3 Technical Parameters of AID10/AID150

Refer to Table 5.

Table 5 Technical parameters of AID10 / 150

Parameter Type		AID10	AID150
Auxiliary power supply	Voltage	DC 24V	
	Consumption	< 0.6W	
Insulation alarming range		—	14A, 22A, 28A, 35A,45A
Temperature alarm setting range		—	0~+200°C
Number of monitored systems		1	16
Alarm method		Sound-light alarm	
Alarm type		Insulation fault, overload, overheat, equipment fault	
Communication mode		RS485 interface, Modbus-RTU protocol	
Display mode		LED display	128*64 LCD display

#### 4.4 Technical Parameters of ACLP10-24

Refer to Table 6.

Table 6 Technical parameters of ACLP10-24

Input voltage	AC 220V (±10%)
Frequency	50/60Hz
Power	3W
Output voltage	DC 24V±5%
Voltage regulation factor	≤30%
Temperature rise	≤20°C
Dielectric intensity	4000V AC/minute

#### 4.5 Technical Parameters of AKH-0.66P26 current transformer

Refer to Table 7.

Table 7 Technical Parameters of AKH-0.66P26 Current Transformer

Input current	0.5mA~50A	Frequency range	0.02~10 kHz
Output current	0.025~25 mA	Loading resistance	<200Ω
Temperature coefficient	100 ppm/°C	Transient current (1s)	200A
Phase displacement	10'	Installation	Fixed with 4*10 screws
Operating temperature	-35~+70°C	Secondary wiring	Shielded twisted pair cable 2*0.3mm <sup>2</sup> , 2m
Storage temperature	-40~+75°C		
Secondary resistance range	95~120Ω	Isolation pressure	5000Vac
Accuracy	0.5%	Linearity	0.5%

## 5 Installation and Wiring

### 5.1 Shape and Mounting Hole Size

#### 5.1.1 External dimensions of AITR series medical isolation transformer (unit: mm)

Shape and size of AITR series medical isolation transformer are shown as below and in Table 8.

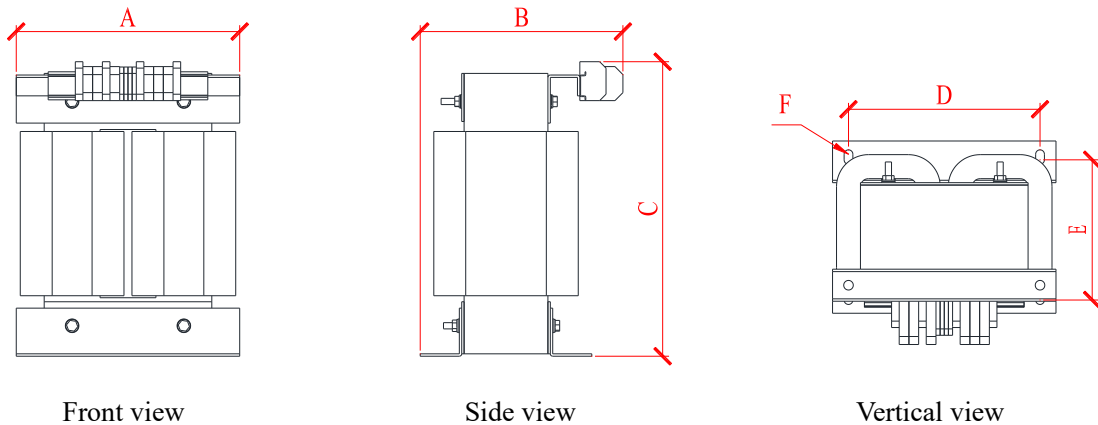
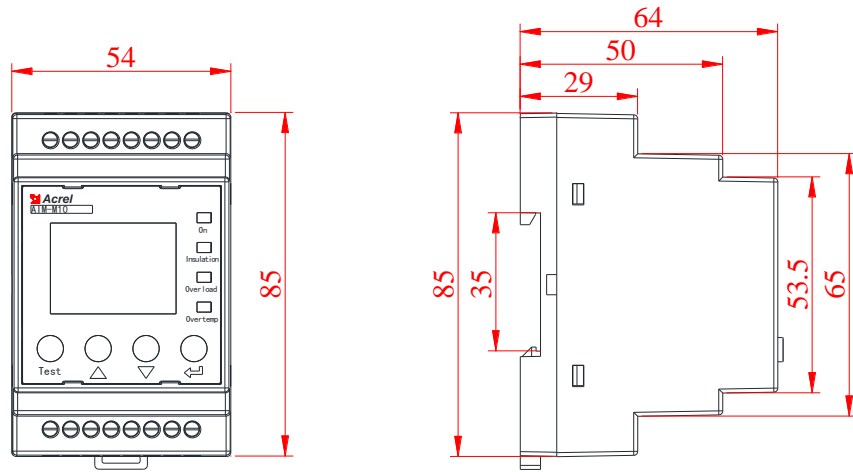


Table 8 External Dimensions of AITR Series Medical Isolation Transformer

Product Type	Capacity (VA)	Overall dimension (mm)			Mounting dimension (mm)			Weight (kg)
		A	B	C	D	E	F	
AITR10000S	10000	280	236	421	240	190	11*8	86±5
AITR8000S	8000	280	236	421	240	190	11*8	79±5
AITR6300S	6300	280	221	421	240	175	11*8	69±5
AITR5000S	5000	280	211	421	240	175	11*8	62±5
AITR3150S	3150	280	211	421	240	175	11*8	49±5

**Note:** According to the standard, the maximum capacity of medical single-phase isolation transformer is 10kVA; Dimensions A, B, and C are the length, width, and height of the transformer; dimensions D, E, and F are the installation dimensions of the transformer; F is the mounting hole position. M8\*30 screws are recommended to fix the transformer.

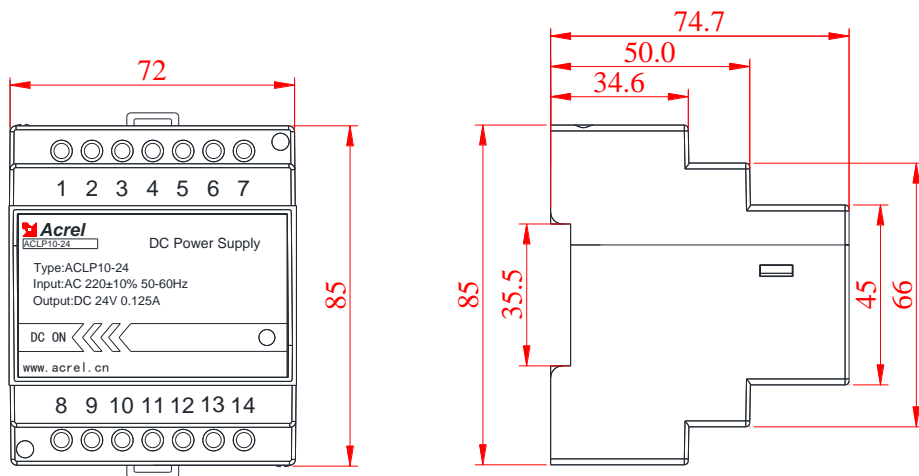
#### 5.1.2 External dimensions of AIM-M10 medical insulation monitor (unit: mm)



Front view

Side view

### 5.1.3 External dimensions of ACLP10-24 (unit: mm)

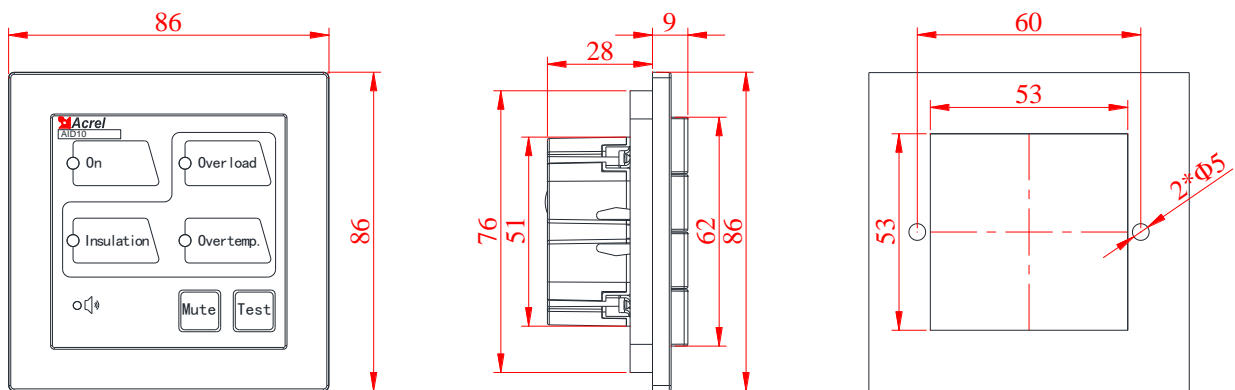


Front view

Side view

### 5.1.4 External dimensions of AID10/AID150 (unit: mm)

External dimensions of AID10 are shown as below.

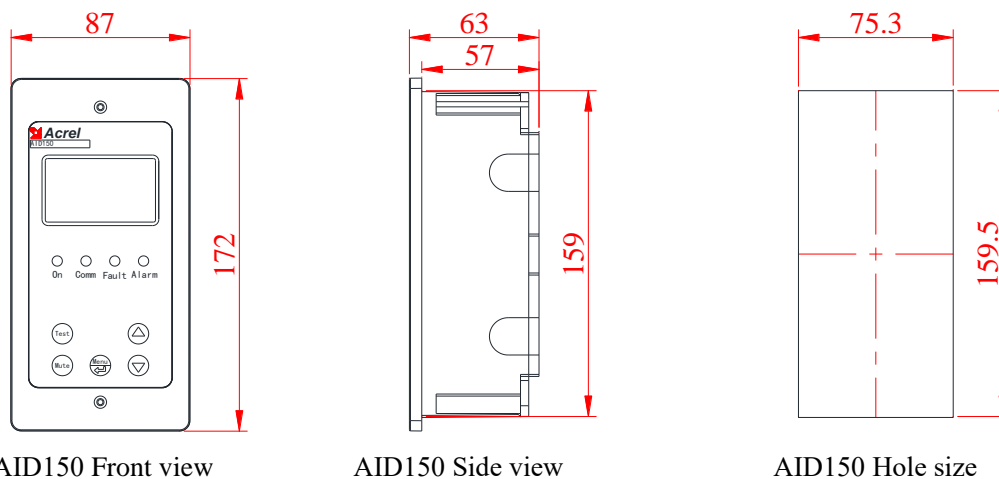


AID10 Front view

AID10 Side view

AID10 Hole size

External dimensions of AID150 are shown as below.

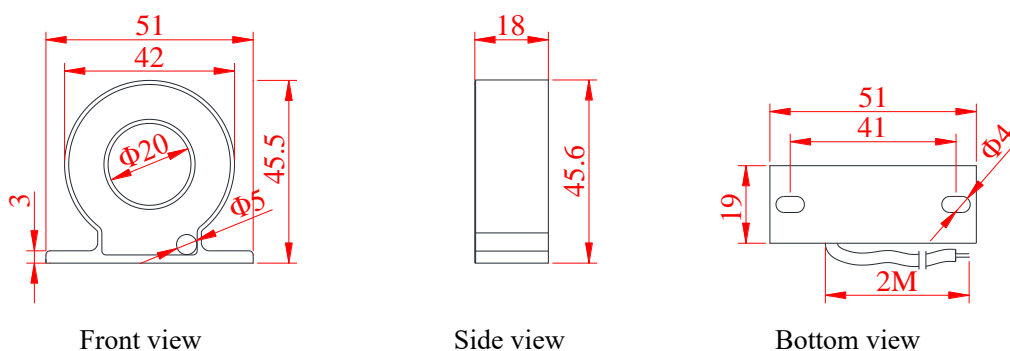


AID150 Front view

AID150 Side view

AID150 Hole size

### 5.1.5 External dimensions of AKH-0.66P26 current transformer (unit: mm)



Front view

Side view

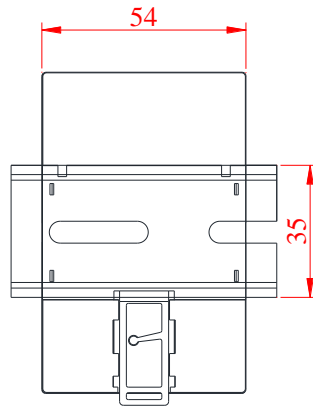
Bottom view

## 5.2 Installation Method

In addition to the AID series external alarm and display instrument, the M10 five-piece set insulation monitoring devices of medical IT system should be installed in the distribution cabinet (isolated power cabinet). The isolation transformer should be installed at the bottom of the distribution cabinet, fixed with supporting bolts, and cooling fan should be installed. The instrument and circuit breaker are mounted on the upper panel. If the isolation transformer is installed separately, it should be near from the AIM-M10 insulation monitor. When the AID10/150 external alarm and display instrument is used in the operating room, it can be embedded in the wall and installed next to the information panel in the operating room for the convenience of medical personnel. When AID150 is used in ICU/CCU and other intensive care units, it should be installed in the hand nurse station for the nurses on duty to check, and the RS485 communication between each insulation monitoring instrument, AID series instrument under centralized monitoring should be connected hand in hand. The wiring of the AID series external alarm and display instrument includes two 24V power lines and one RS485 communication line with 2-core shielded twisted pair. These three lines are drawn from the isolated power cabinet, and pipelines should be reserved during construction.

### 5.2.1 Installation mode of AIM-M10 medical insulation monitor

AIM-M10 insulation monitor adopts the installation method of the guide rail, and the fixation mode is the clip buckle type, as shown in the following figure:

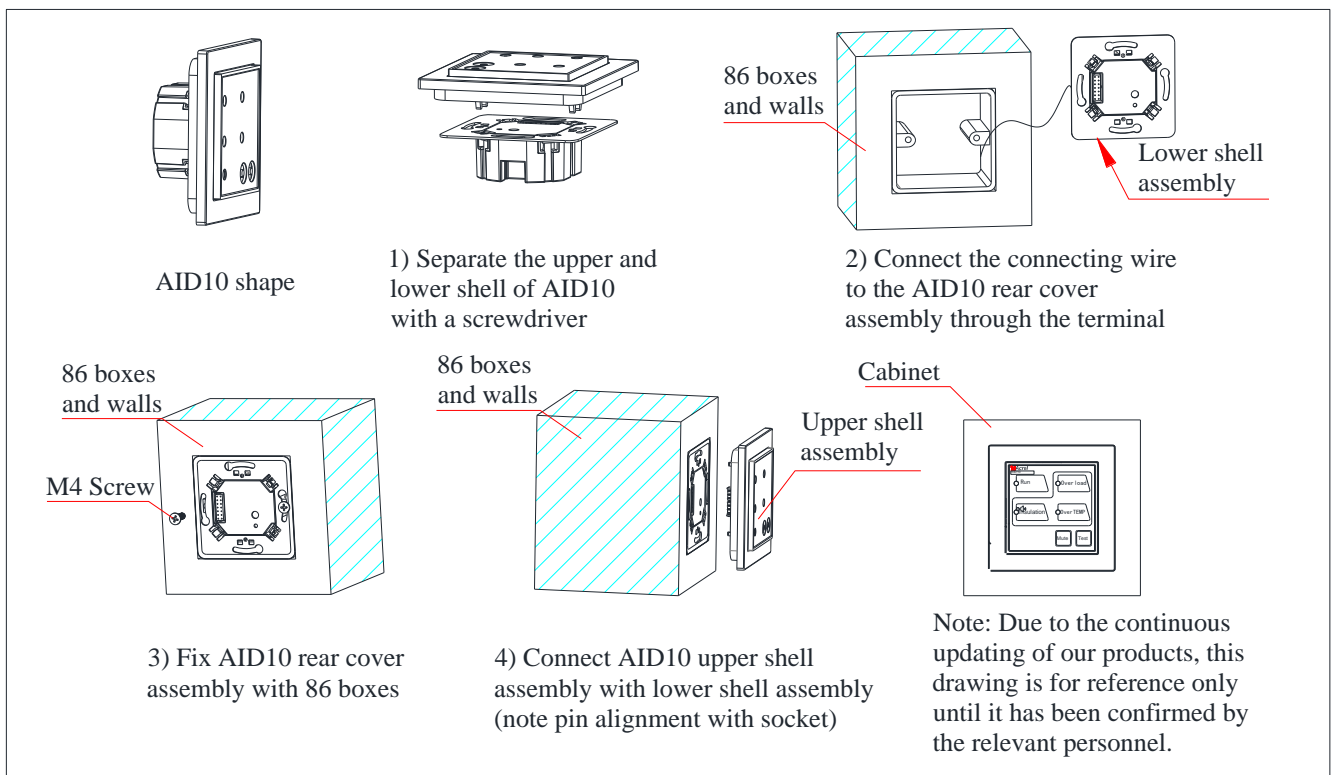


### 5.2.2 Installation method of ACLP10-24 power module

ACLP10-24 power module is installed by guide rail and fixed by clip-on, which can also be installed at the same guide rail as AIM-M10 monitoring instrument.

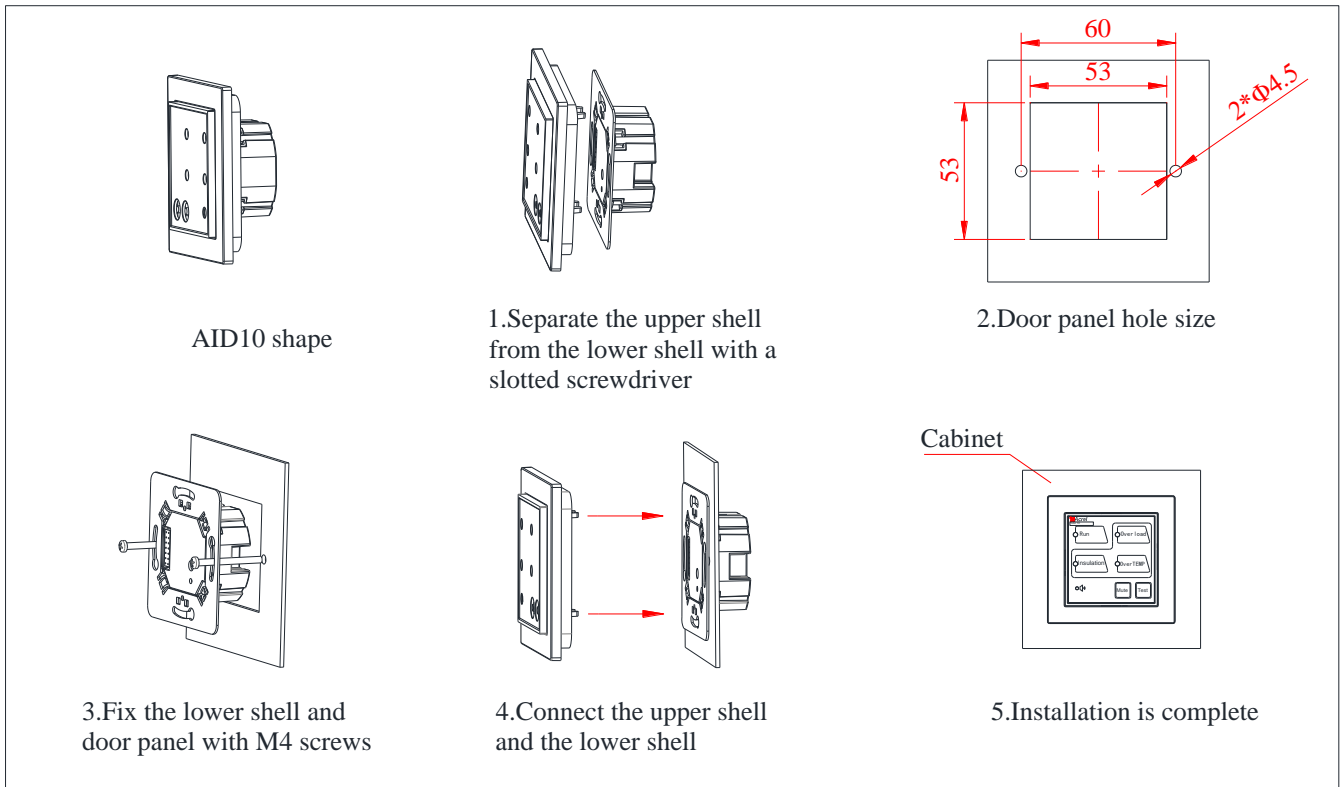
### 5.2.3 Installation mode of AID series alarm and display instrument

(1) If AID10 is embedded into the wall, the standard 86\*86 mounting hole shall be reserved. The installation diagram is as follows:

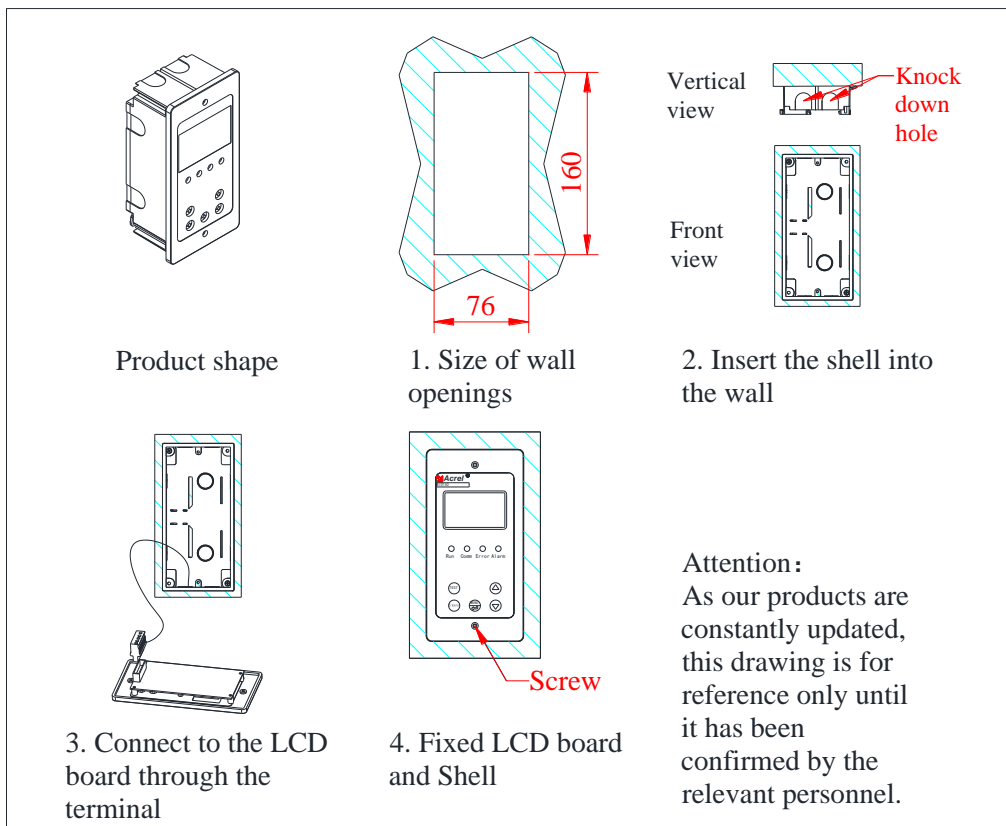


When decorating, first place in the right wall openings, and then isolated power cabinet lead (2 power cable with 1.5mm<sup>2</sup> cables and 1 shielded twisted-pair cable with 1.5mm<sup>2</sup> cable) introducing the receiving terminal, the shell knocked down hole near the line, then embedding external alarm and display the shell wall and internal fixation, the terminal to circuit board corresponding terminals on the front cover, Install the panel on the housing and fix it with the supplied tapping screws.

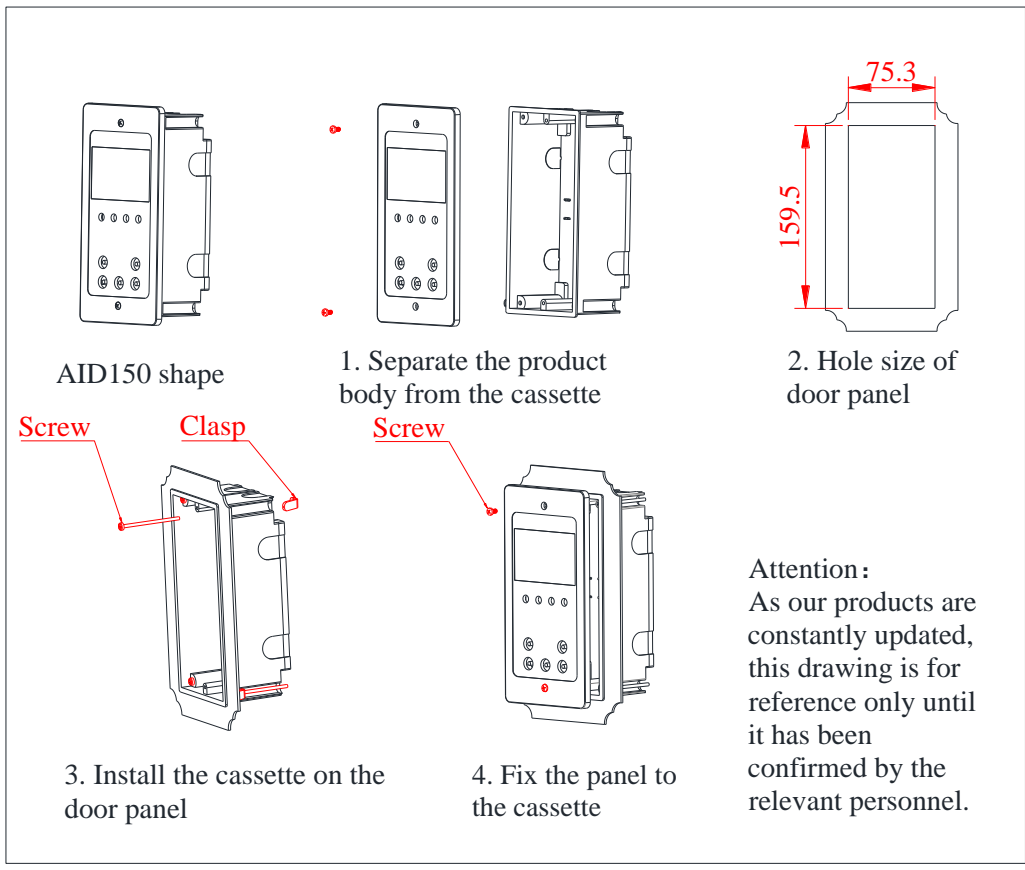
(2) If AID10 is installed by opening the cabinet door, the installation diagram is as follows:



(3) If you choose to embed the wall for installation, the installation diagram is as follows:



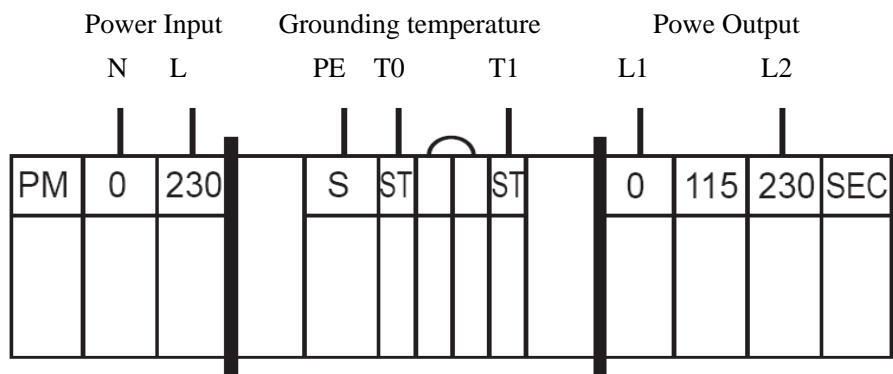
(4) If the AID150 external alarm and display instrument is installed by opening the cabinet door, the installation diagram is as follows:



### 5.3 Wiring Method

#### 5.3.1 Wiring mode of AITR series medical isolation transformer

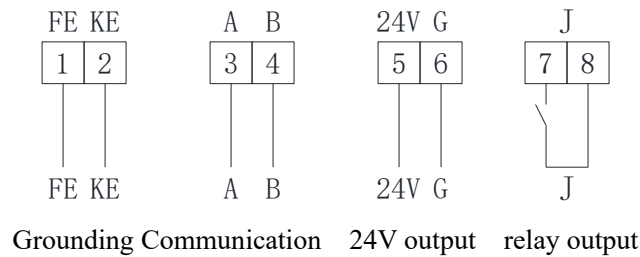
The input terminals at the transformer terminal blocks are labeled with "PM", in which two terminals 0 and 230 are connected to the input 220V single-phase AC. The output terminals are labeled with "SEC", in which the output voltage of two terminals 0 and 230 is AC 220V and is connected to external field load. The "S" terminal is connected to the PE bus bar on the spot or the equipotential terminal line. Two "ST" terminals are temperature sensor interfaces, which are respectively connected to the No.11 and 12 terminals of AIM-M10 insulation monitoring instrument.



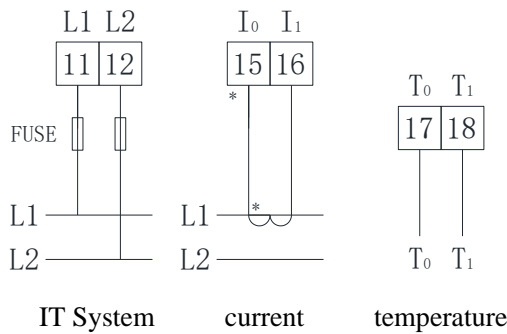
**Note:** The wirings of input and output terminals of the isolation transformer should select the copper wires matching the line diameter based on the isolation transformer rated input and output current (refer to tables in section 5.4). S terminal wiring can select 2\*4mm<sup>2</sup> yellow-green wire. The wiring of two ST terminals can select 2\*1.5mm<sup>2</sup> shielded twisted pairs, and the wiring should not be too long.

### 5.3.2 Wiring mode of AIM-M10

Lower row terminals: FE, KE (1,2) are connected to the field equipotential grounding terminal block as instrument functional grounding. A, B (3,4) are communication terminals connected with external alarm and display device. 24V, G (5,6) are DC power output to supply power for alarm and display instrument. J (7,8) are output of over temperature alarm relay (used to control cooling fan).



Upper terminal: L1, L2 (11, 12) are connected with monitored IT system. I<sub>0</sub>, I<sub>1</sub> (15, 16) are signal input of current transformer AKH-0.66P26. T<sub>0</sub>, T<sub>1</sub> (17, 18) are signal input of temperature sensor.



**Note:**

(1) The wirings connecting the 11 and 12 terminals of the insulation monitor can select 2\*1.5mm<sup>2</sup> copper wires, and the FE and KE terminals corresponding to the 1 and 2 can select 2\*4mm<sup>2</sup> yellow-green wires (grounding wires). relay output are the dry nodes, which need additional power supply during the control of external load. For example, J1 controls AC 220V cooling fan, then the AC 220V power supply is needed, and the wiring line type should be determined according to the load current.

(2) 2\*1.5mm<sup>2</sup> shielded twisted pair cable can be selected for current transformer signal line corresponding to terminals 15 and 16, temperature signal line corresponding to terminals 17 and 18, RS485 communication line corresponding to terminals 3 and 4.

### 5.3.3 Wiring mode of AID10/150 centralized alarm and display instrument

The terminals of the power supply correspond to the positive pole and ground of the DC24V power module respectively. A and B are connected with A and B in the lower terminal of AIM-M10.

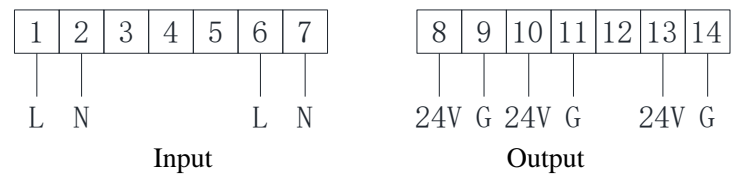
The wiring diagram is shown in the following figure.





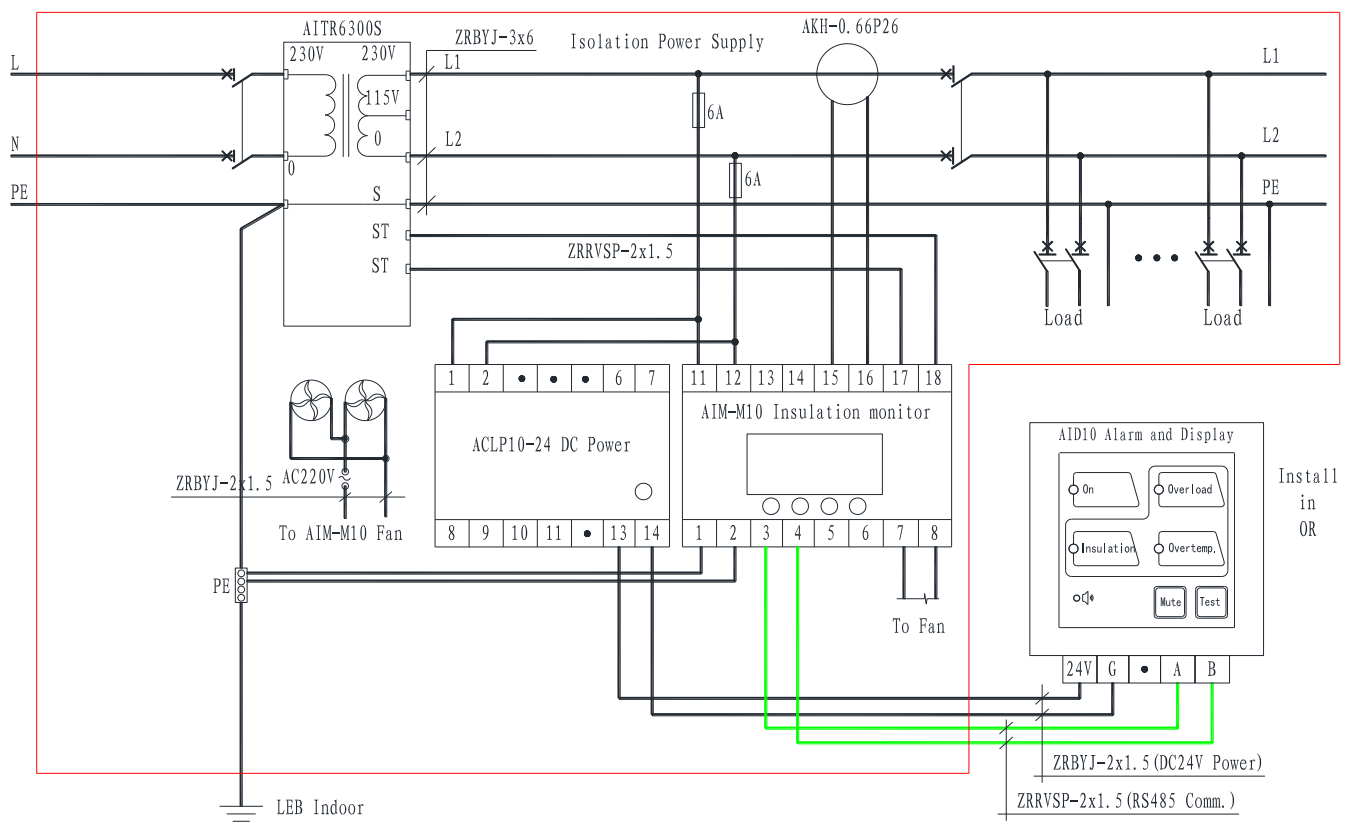
The 24V power supply can be connected by multiple copper wires of  $2 \times 1.5\text{mm}^2$ , and the RS485 interface communication terminal can be connected by shielded twisted pair of  $2 \times 1.5\text{mm}^2$ .

### 5.3.4 Wiring mode of ACLP10-24



The 1 and 2 terminals of the DC power supply for ACLP10-24 instrument are the input terminals of 220V AC power supply. The 6 and 7 terminals are the 220V input extension terminals. Inside the instrument, 6 is connected to 1, and 7 is connected to 2. Terminals 8 and 9 correspond to 24V and G, terminals 10 and 11 correspond to 24V and G, terminals 13 and 14 correspond to 24V and G. These are three sets of 24V DC power output terminals, which are used to provide 24V DC power for external alarm and display instrument of AID series. Inside the meter, all V terminals are connected and all G terminals are connected.

### 5.4 Typical Wiring Diagram



More information:

(1) The connection line diameter of the input and output of the isolation transformer should match the rated current of the isolation transformer, or it can be selected according to the following table:

Isolation transformer type	Selected line diameter
AITR3150S	$3 \times 4\text{mm}^2$
AITR5000S/AITR6300S	$3 \times 6\text{mm}^2$
AITR8000S/AITR10000S	$3 \times 10\text{mm}^2$

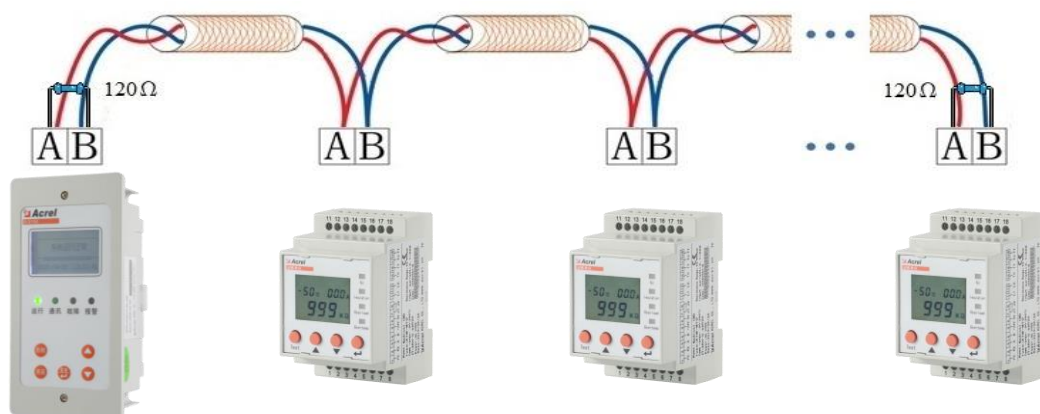
(2) Terminals 11 and 12 of AIM-M10 insulation monitor need to be connected with AC220V of IT system, which can be directly connected to 0 and 230V output terminals at the secondary side of isolation transformer according to the diagram, and connected with 6A fuse protection in series.

(3) The relay output control of the 7 and 8 terminals of the AIM-M10 insulation monitor is a dry node, which needs an additional fan power supply when used for the fan control. When multiple transformers are centrally installed in one isolation power cabinet, multiple fans should be connected in a parallel mode controlled by multiple insulation monitors, that is, every one insulation monitor can start or stop all fans.

(4) AKH-0.66P26 only needs to pass through one of the L1, L2 two wires of the isolation transformer secondary side output terminal, but can not pass through the two wires simultaneously. The shielding wire of transform is connected to the 15, 16 terminals of AIM-M10, shielding layer is not allowed for grounding.

(5) In order to reliably monitor the grounding insulation of the isolation power system, the 11, 12 terminals of AIM-M10 insulation monitor should be reliably connected to IT system with  $2 \times 1.5 \text{mm}^2$  multicore copper wires (it can be connected in parallel to the output terminal of the current breaker). The 1, 2 terminals should be respectively connected to the on-site equipotential terminals with two independent  $4 \text{mm}^2$  yellow-green grounding wires (or the grounding terminals in the isolation power cabinet).

(6) The 24 and G power terminals of the AID series external alarm and display instrument are connected to the 13 and 14 terminals of the ACLP10-24 DC power supply, using  $2 \times 1.5 \text{mm}^2$  two-core wires. Communication terminals A and B of the AID series external alarm and display instrument are connected to terminals 3 and 4 of the AIM-M10 insulation monitor, using  $2 \times 1.5 \text{mm}^2$  shielded twisted pair cable. When AID150 centralized alarm and display, instrument is used to monitor multiple sets of AIM-M10, the communication cable should be connected hand-to-hand, the communication terminals of the RS485 bus should be connected in parallel to a matching resistor. The recommended matching resistance is  $120 \Omega$  resistance.



## 5.5 Considerations

(1) Medical IT system insulation monitoring and fault locating seven pieces of products should be centrally installed in the isolation power cabinet except for AID150. If the field space is too limited to apply the isolation power cabinet, the isolation transformer can be installed separately, but should not be too far away from the insulation monitor and the field load.

(2) The installation of wiring should strictly follow the wiring diagrams, which should preferably use the pressure connection with the needle-type fittings, and then insert into the corresponding terminal of the instrument and tighten the screws to avoid the abnormal work conditions of instrument caused by loose connection.

(3) The grounding wire of the instrument and the transformer shall be reliably connected with the equipotential terminals in the field. When applying the isolation power cabinet, it should be connected to the grounding terminals in the isolation power supply cabinet, and then to the equipotential terminals in the field.

(4) The current input of AIM-M10 medical insulation monitoring instrument should use a matching AKH-0.66P26 type current transformer. It is recommended to use pressure connection with U-type indenters during wiring operation, and then connect to the CT terminal. Do not directly use the bare head connection, for the considerations of reliable connection and easy disassembly. Before removing the wiring, the CT primary circuits must be cut off or the secondary circuits must be short connection.

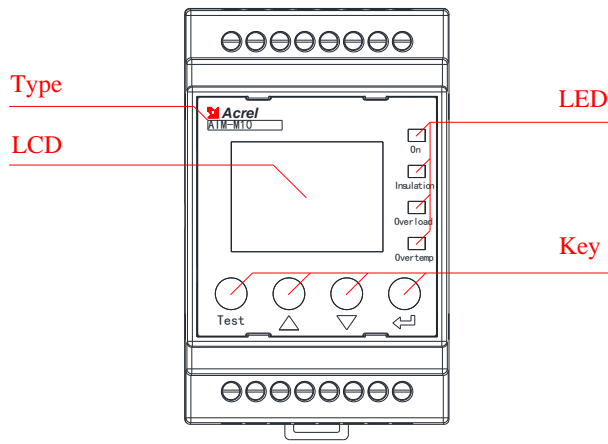
**(5) Special reminder:**

**Any isolation transformer will have an impact current when it starts up, and too large impact current may cause the circuit breaker at primary side of the transformer difficult to disconnect or shut down. Therefore, for medical IT systems composed of medical isolation transformers and insulation monitoring products, in the selection of inlet circuit breaker of the isolation transformer, it is recommended to choose the circuit breakers only with short circuit protection but without overload protection according to GB requirements. If choosing the circuit breaker with overload protection, the circuit breaker should conform to the C and D tripping curves of GB14048.2-2008, and the rated current of the circuit breaker should be determined according to the capacity of the isolation transformer as follows: 10kVA-63A, 8kVA-50A, 6.3kVA-40A, 5kVA-40A, 3.15kVA-20A. If the circuit breaker selection is not in accordance with the above requirements, the company shall not be liable for any medical malpractice caused by the closure difficulty of the circuit breaker or the disconnection of the circuit breaker during operation.**

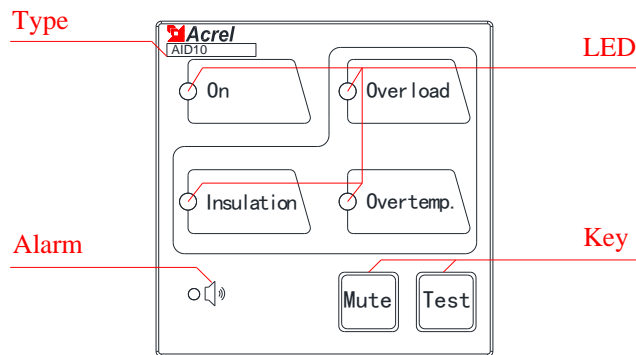
## 6 Programming and Application

### 6.1 Panel Description

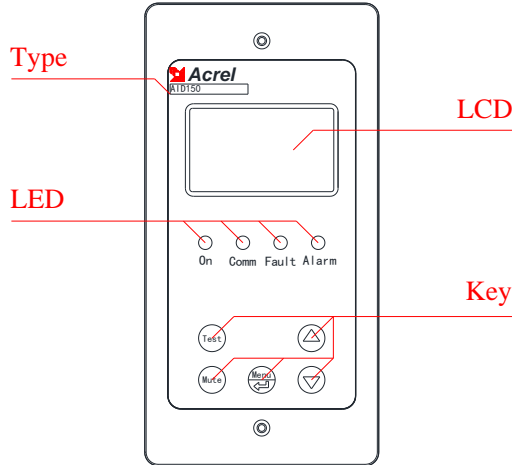
(1) AIM-M10 Insulated monitor panel



(2) AID10 External alarm and display panel



(3) AID150 External alarm and display panel



## 6.2 LED Indicator Instructions

### 6.2.1 AIM-M10

Indicator	Instructions
On	When the instrument operation is normal, the indicator light flashes, with the flashing frequency of about one time per second.
Insulation	When the insulation resistance exceeds the alarm value, or when the LL/FK is disconnected, the indicator light flashes to alarm.
Overload	When load current exceeds the total load current of transformer, the indicator light flashes to alarm.
Overtemp.	When testing transformer temperature exceeds the alarm value, or when the temperature sensor wiring is disconnected, the indicator light flashes to alarm.

### 6.2.2 AID10

Indicator	Instructions
On	When the device is in normal operation, the indicator flashes, and the flickering frequency is about once a second.
Insulation	When the insulation resistance exceeds the alarm value, the indicator light flashes to alarm.
Overload	When load current exceeds the total load current of transformer, the indicator light flashes to alarm.
Overtemp.	When testing transformer temperature exceeds the alarm value, the indicator light flashes to alarm.

### 6.2.3 AID150

Indicator	Instructions
On	When the device is in normal operation, the indicator flashes, and the flickering frequency is about once a second.
Comm	Indicate the status of device communication, when there is data communication, the indicator light flashes.
Fault	When AIM series monitor detect disconnection failure, indicator flashes alarm.
Alarm	When AIM-M series monitor exceed threshold alarm, indicator flashing alarm.

## 6.3 Button Function Descriptions

### 6.3.1 AIM-M10

AIM-M10 has four buttons in total, "Test" button, "▲" button, "▼" button, and "↵" button.

Key	Function
"Test" button	In operation state, used to start the self-test function of instrument.
"▲" button "▼" button	In non-programming mode, used to view the fault records. In programming mode, used to increase or decrease the values, or to change the protection action status.
"↵" button	In non-programming mode, press this button to enter the programming mode; In programming mode, used as the Enter button.

### 6.3.2 AID10

AID10 has two buttons in total, "Mute" button and "Test" button.

Key	Functions
"Mute" button	When there is alarm, press this button to eliminate the alarm sound.
"Test" button	Used to start the self-test function of instrument.

### 6.3.3 AID150

AID150 has five buttons in total, "Test" button, "Mute" button, "▲" button, "▼" button, and "Menu/↵" button,

Key	Functions
"Test" button	In non-programming mode, used to start the self-test function of instrument.

"Mute" button	When there is alarm, press this button to eliminate the alarm sound.
"▲" button "▼" button	In programming mode, used to increase or decrease the value.
" Menu/↵ " button	In non-programming mode, press this button to enter the programming mode; In programming mode, used as the Enter button.

## 6.4 Button Operation Descriptions

### 6.4.1 AIM-M10 insulation monitor in non-programming mode

(1) Enter operation mode. The default mode of startup is operation mode. The main interface displays temperature value, insulation resistance value, load rate and current system time.

(2) View the alarm record. In the main interface, press the "▲" or "▼" to enter the "fault record query" interface. Press the "↵" button to confirm, and then you can turn the page through the "▼" or "▲" to query the condition of each fault record in turn. The first record is the latest record and the tenth record is the oldest record.

(3) Instrument self check. Press the "Test" key, the monitor will start the self-test program to simulate overload fault, insulation fault and over temperature fault. In order to detect and judge whether the main fault is normal or not. If the monitor can detect the above three kinds of faults, it indicates that the instrument function is normal.

### 6.4.2 AIM-M10 insulation monitor in programming mode

#### (1) Enter programming mode

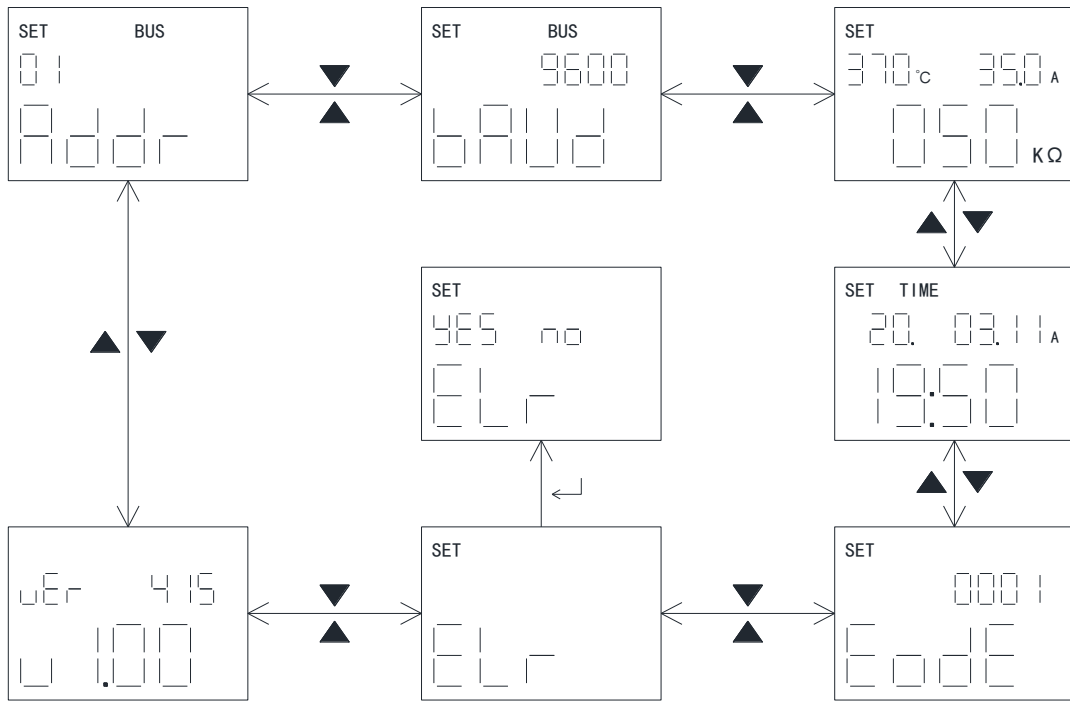
In normal operation, press Enter to enter the password input page of programming mode. Increase the number by "▲" and decrease it by "▼". After inputting the correct password, press "↵" to enter the programming mode.



#### (2) In programming mode, the instrument parameters are set

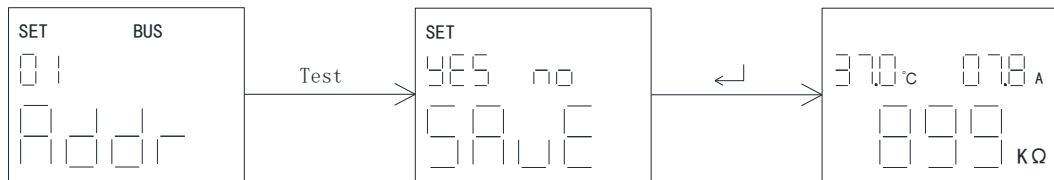
After entering the programming mode, press "▲" or "▼" to view each parameter interface.

In the programming mode, press the "↵" key, the parameter will flash, and the parameter can be modified by "▲" and "▼". When there are multiple parameters in the interface, such as alarm value setting interface and time setting interface, when the parameter flashes, "▲" is used to select the parameter and "▼" is used to modify the parameter value. Press "↵" again to exit the parameter modification mode and browse the menu.



### (3) Exit programming mode

In the programming mode, enter the [Save Parameter] page through the " Test " key, select [yes] or [no] by "▲" and "▼" keys, and the flashing indicates the selection. Press the "↵" key to save the parameters or not, exit the programming mode and enter the operation mode.



### 6.4.3 AID10 alarm and display key operation

(1) After AID10 and AIM-M10 are connected through RS485 communication, the On light flashes, indicating that the communication is normal. If the operation lamp is normally on, it means the communication is abnormal.

(2) When AID10 detects the fault mark issued by AIM-M10, the corresponding indicator light flashes, and the buzzer rings. Press the Mute key to turn off the buzzer.

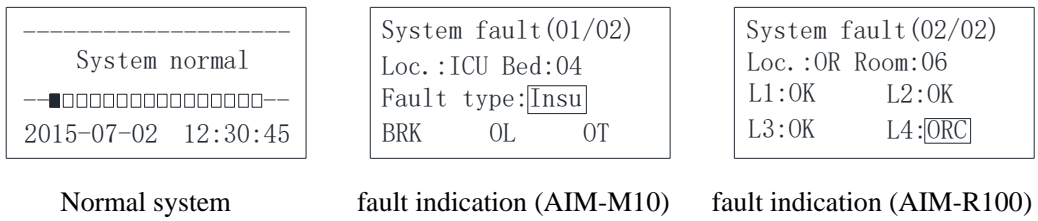
(3) When the system is running normally, press the Test key to start the AIM-M10 insulation monitor self-test.

### 6.4.4 AID150

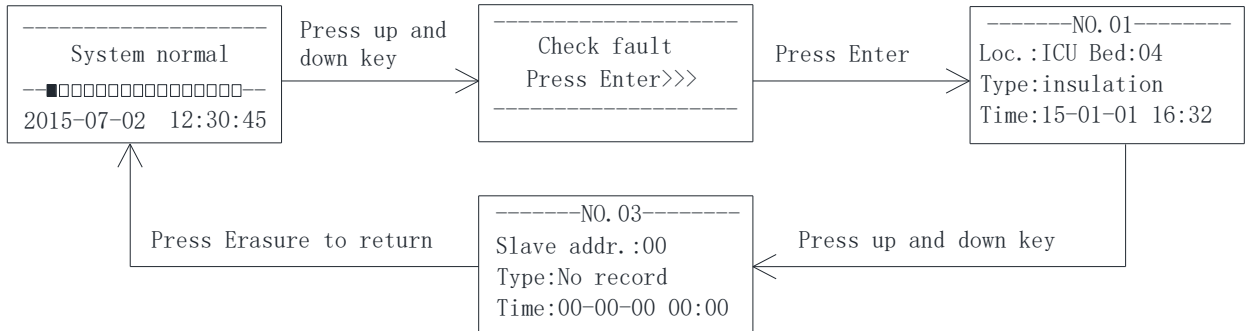
#### (1) Description of the Operating Interface

After the system is powered on, if there is no fault alarm, AID150 shows the normal operation interface as shown in the following figure. The black boxes in the figure indicate that the corresponding address serial number is connected to the instrument communication, and the black boxes indicate that there is no instrument connection, or that the communication is not connected. When the insulation monitors or

residual current monitor detects the fault, AID150 displays the corresponding alarm interface and sends out the corresponding sound and light alarm.



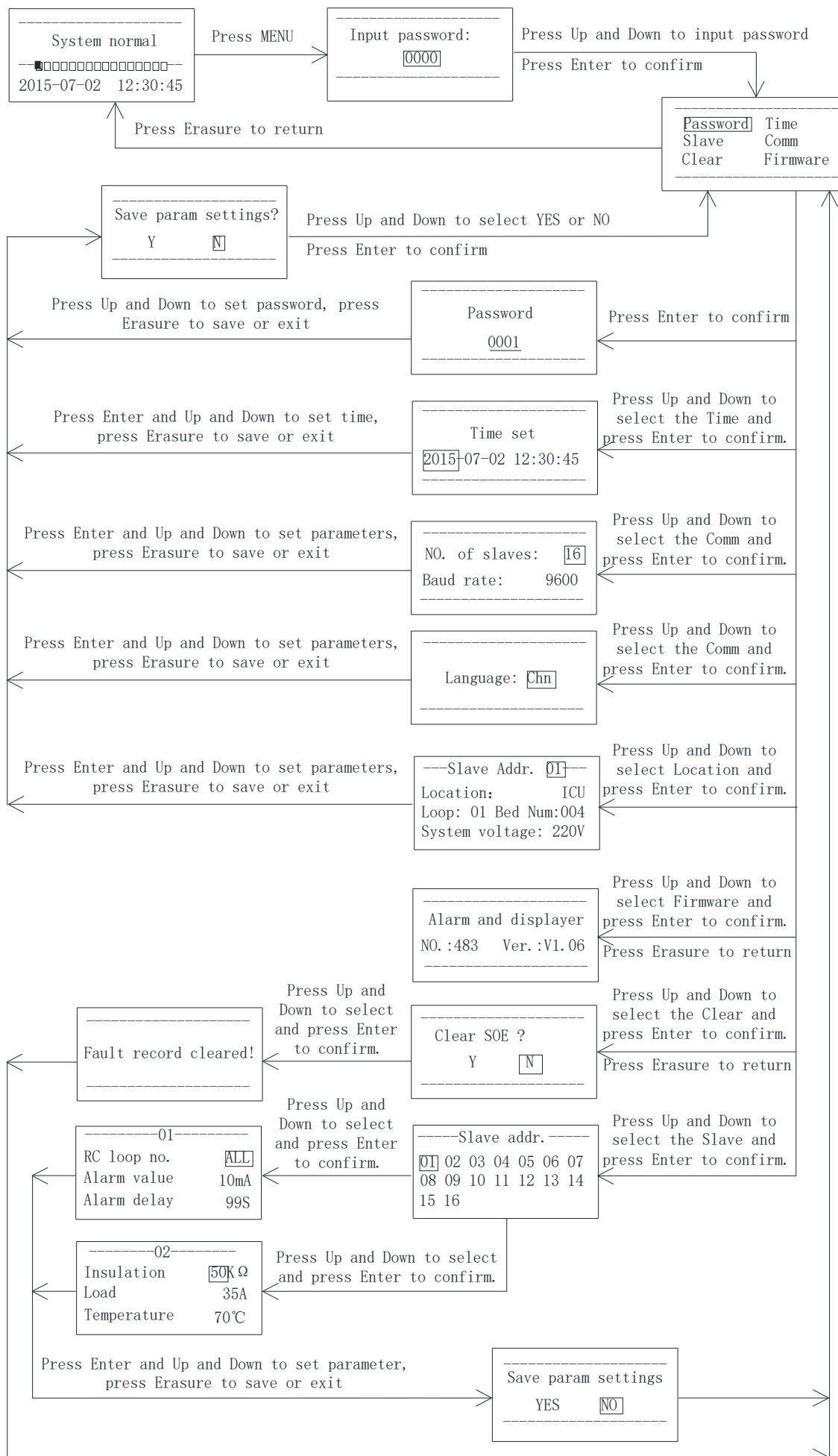
(2) Fault record viewing interface operations and descriptions



(3) Programming Interface Operation and Explanation

The operation method and process are shown in the following flow chart.





**Note: when AID150 is in use, the total number of Insulation Monitors and residual current monitors connected to RS485 bus should be set first, and the total number should not exceed 16 sets. This parameter is in [communication settings] in the menu. The slave address of each insulation monitor and residual current monitor shall be numbered from 1 to 16 as far as possible. When the total number of Insulation Monitors and residual current monitors exceeds 16 sets, the number of AID150 shall be increased and networking shall be conducted separately.**

## 7 Communication Protocol

### 7.1 Modbus-RTU Communication Protocol

Meter RS485 interface adopts Modbus-RTU communication protocol, which defines the address, function code, data, check code in detail. It is the necessary content to complete the data exchange between the host and slave machine.

### 7.2 Introduction to the Function Code

#### 7.2.1 Function code 03H or 04H: Read the registers

This function allows the user to acquire the data collected and recorded by equipment and the system parameters. The number of data requested by hosts has no limit, but cannot exceed the defined address range.

The following example shows how to read a measured value from No.01 slave meter, with the value of 0x000FH address.

The host sends		Send message
Address code		01H
Function code		03H
Start address	High byte	00H
	Low byte	08H
Number of registers	High byte	00H
	Low byte	01H
CRC check code	Low byte	05H
	High byte	C8H

The slave returns		Return message
Address code		01H
Function code		03H
Bytes		02H
Register data	High byte	03H
	Low byte	E7H
CRC check code	Low byte	F8H
	High byte	FEH

The read result is 0x03E7H. The value is 999 in decimal notation, indicating that the insulation resistance is 999kΩ.

#### 7.2.2 Function code 10H: Write the registers

The function code 10H allows the user to change the contents of multiple registers, which can write the time and date in this meter. The host can write up to 16 (32 bytes) data once.

The following example shows a preset address of 01 with an installation date and time of 12:00, Friday, December 1, 2009.

The host sends		Send message
Address code		01H

The slave returns		Return message
Address code		01H

Function code		10H
Start address	High byte	00H
	Low byte	04H
Number of registers	High byte	00H
	Low byte	03H
Number of registers		06H
0004H data	High byte	09H
	Low byte	0CH
0005H data	High byte	01H
	Low byte	05H
0006H data	High byte	0CH
	Low byte	00H
CRC check code	Low byte	A3H
	High byte	30H

Function code		10H
Start address	High byte	00H
	Low byte	04H
Number of registers	High byte	00H
	Low byte	03H
CRC check code	Low byte	C1H
	High byte	C9H

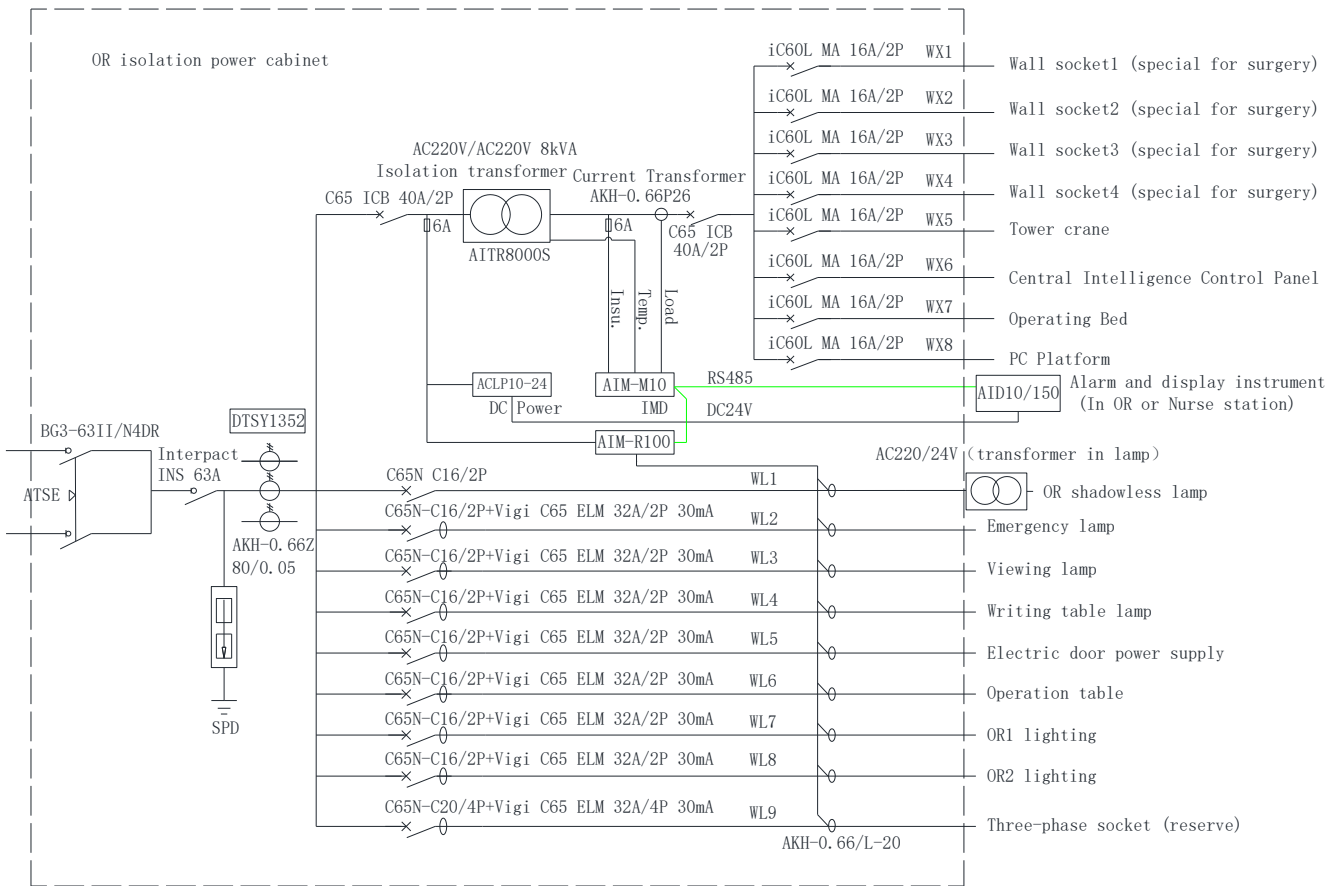
7.3 AIM-M10 Parameter Address Table

No.	Address	Parameter	Read-Write	Value Range	Data Type
0	0000H	Password	R/W	0001~9999 (Default 0001)	UINT16
1	0001H high	RS485 address1	R/W	1~247 (Default 1)	UINT16
	0001H low	RS485 Baud1	R/W	1~3: 4800, 9600, 19200 (unit bps) (Default 2)	
2	0002H	Reserved			UINT16
3	0003H	Reserved			UINT16
4	0004H high	Year	R/W	1~99	UINT16
	0004H low	Month	R/W	1~12	
5	0005H high	Day	R/W	1~31	UINT16
	0005H low	Week	R/W	1~7	
6	0006H high	Hour	R/W	0~23	UINT16
	0006H low	Minute	R/W	0~59	
7	0007H high	Second	R/W	0~59	UINT16
	0007H low	Reserved			
8	0008H	Insulation resistance	R/W	10~999 (Unit is kΩ)	UINT16
9	0009H	Load current	R/W	0~500 (Unit is 0.1A)	UINT16
10	000AH	Transformer temperature	R/W	-50~200 (Unit is °C)	INT16
11	000BH high	Reserved			UINT16

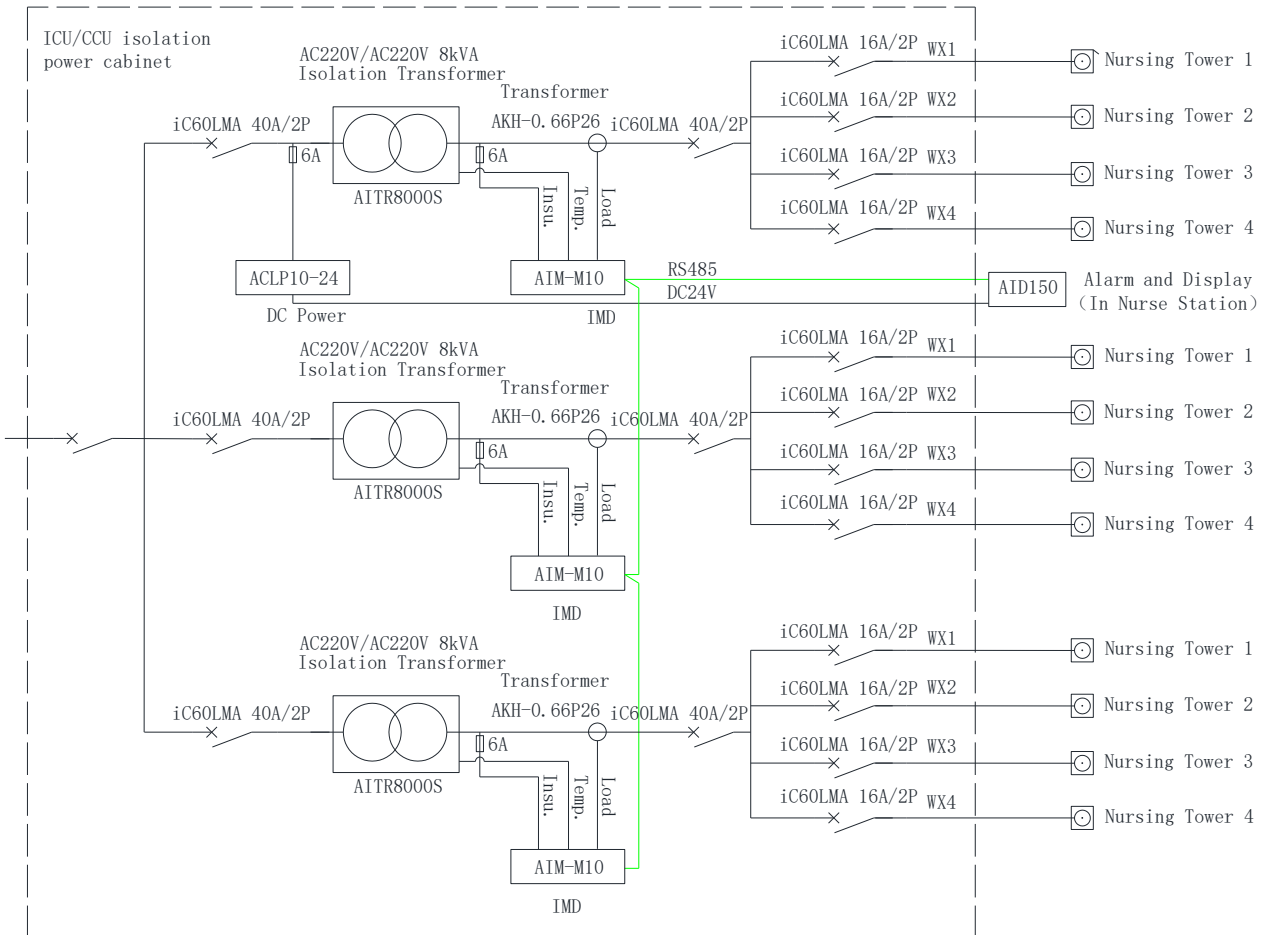
	000BH low	Fault type	R	Bit0: 0 normal; 1 Insulation resistance fault Bit1: 0 normal; 1 Overload fault Bit2: 0 normal; 1 Transformer overheat fault Bit3: Reserved Bit4: 0 normal; 1 PE or KE disconnection fault Bit5: 0 normal; 1 Temperature sensor disconnection Bit6: Reserved Bit7: Reserved		
12~15	000CH~000FH	Reserved			UINT16 *4	
16	0010H	Insulation resistance set value	R/W	10~999 (Unit kΩ) (default 50)	UINT16	
17	0011H	Load current set value	R/W	14, 18, 22, 28, 35, 45 (Unit A) (default 35)	UINT16	
18	0012H	Transformer temperature set value	R/W	0~200 (Unit °C) (default 70)	UINT16	
19~23	0013H~0017H	Reserved			UINT16 *5	
24	0018H high	SOE1	Reserved		UINT16	
	0018H low		Info.	R		SOE type: 0~6 0: No fault record      1: Insulation fault 2: Overload fault      3: Over temperature fault 4: LL disconnection    5: PK disconnection 6: TC disconnection
25	0019H high		Year	R	SOE1 time - year	UINT16
	0019H low		MoTh	R	SOE1 time - month	
26	001AH high		Day	R	SOE1 time - day	UINT16
	001AH low		Hour	R	SOE1 time - hour	
27	001BH high		Minute	R	SOE1 time - minute	UINT16
	001BH low		Second	R	SOE1 time - second	
28~63	001CH~003FH		Store the other 9 event records in the same format as the first one			UINT16 *36

## 8 Typical Applications

The Application of medical IT system intelligent insulation monitoring product M10 five-piece set in the operating room power distribution is shown in the following figure.



The application such as ICU/CCU is shown in the following figure.



## 9 Power On and Debugging Instructions

### 9.1 Wiring Check

For each set of IT system, the wiring check should be conducted before power on, mainly checking whether there is wrong, missed, or short connection. The examination can be conducted sequentially in the following order according to the wiring diagrams shown in section 5.4 of this manual.

(1) Check whether each M10 five-piece set constitutes an independent IT distribution system, and ensure that the current, resistance and temperature signals monitored by each insulation monitor are connected to the same isolation transformer and its IT system.

(2) Check whether 1, 2 input terminals of ACLP10-24 power module in each system are connected to the current breaker output terminals, and whether 24V and G terminals of the module are connected to 24V and G terminals of the AID, and the positive and negative terminals are correct.

(3) Check whether the 15 (I0) and 16 (I1) terminals of AIM-M10 in each system are reliably connected to the terminals of the transformer AKH-0.66P26 socketed to the secondary side of the corresponding isolation transformer, and are not grounded. The transformer only passes one of the two lines of the output terminals of the isolation transformer.

(4) Check whether 17 (T0) and 18 (T1) terminals of AIM-M10 in each system are connected with the two ST terminals of isolation transformer and connected reliably.

(5) Check whether the terminals 11 (L1) and 12 (L2) of AIM-M10 in each set of systems are reliably connected with the current breaker after output of isolation transformer.

(6) Check whether the 1 (FE) and 2 (KE) terminals of AIM-M10 in each system are connected to the field equipotential terminal block with wires, and whether the S terminal of the isolation transformer is also reliably connected with the equipotential terminal block.

(7) Check whether terminals 3 (A) and 4 (B) of RS485 communication of AIM-M10 instrument in each system are connected with terminals A and B of AID series external alarm display instrument in a hand-in-hand manner, and the positive and negative are correct.

(8) If each isolation transformer has a cooling fan, check whether the power control of the cooling fan is connected to the 7 and 8 terminals of AIM-M10 in the system.

### 9.2 Common Faults and Eliminations

Make sure the wirings are correct and power. Then check whether each meter is abnormal, and whether there is a fault alarm in AIM-M10. For common problems, the causes can be determined and the faults can be eliminated according to the phenomenon of each instrument and the fault types:

Product	Fault phenomenon	Possible causes and troubleshooting
AIM-M10 insulation monitor	LCD display: - - - kΩ, insulator indicator light.	1 and 2 terminals of AIM-M10 are not reliably connected to the equipotential terminals. Check the wirings and make sure they are reliably connected.
	LCD display: - - - °C,	17 and 18 terminals of AIM-M10 are not reliably connected to the

	overheat indicator light.	two ST terminals of the isolation transformer. Check the wirings and make sure they are reliably connected.
	LCD display: 010kΩ, turn red, insulation indicator light.	At least one cable on the outgoing end and load side of the IT system at the secondary side of the isolation transformer is grounded. The fault can be recovered after being rectified.
	The device is not light.	The 220V power supply of AIM-M10 is not connected well. Check the wirings of 11 and 12 terminals and make sure they are reliably connected.
AID series centralized alarm and display instrument	The instrument is not light.	The 24V power supply is not connected well. Check the wirings of 24V and G terminals and rewire.
	Communication indicator does not flash	1) If the slave address of AIM-M10 is not set to the default 1, or the slave Baud is not set to the default 9600, it needs to be set as the default value. 2) If the communication line with AIM-M10 in the system is not well connected, check the communication line, and confirm whether the matching resistance is connected properly.

**Note: If faults occur, interrupt the power to troubleshoot, and adjust the wirings until everything is normal.**

### 9.3 Settings and debugging

(1) When entering the menu settings, medical IT products need to enter the password. The initial password of all medical IT products is 0001.

(2) After the system is powered on, set the load current alarm value according to the capacity of the isolation transformer. The corresponding relations between alarm current and isolation transformer capacity are: 45A-10kVA, 35A-8kVA, 28A-6.3kVA, 14A-3.15kVA. After you set up, follow the process step by step to exit and save the setting parameters. The default alarm current value of the instrument is 35A, if the matching transformer is 8kVA, then this parameter does not need to be set 1.

(3) Communication parameter setting. In order to realize the centralized monitoring function of AIM-M10 through AID150, it is necessary to set the slave addresses of each AIM-M10 in turn, and then the communication between the instruments should be connected hand in hand. After setting, the head and end of the communication bus are connected with a matching resistor of 120Ω (the resistance must be added, otherwise communication may not be possible). AID150 does not need to set RS485 communication address. When using AID10 type external alarm and display instrument to monitor a set of AIM-M10 insulation monitor, the slave address of the insulation monitor should be 1, and the slave baud rate should be 9600, otherwise it can not communicate.

(4) When AID150 is used, the total number of insulation monitors or residual current monitors connected to RS485 bus should be set first, and the total number should not exceed 16 sets. In AID150, the setting of this parameter is in the [Comm set] submenu of the menu. The slave address of each insulation monitor or residual current monitor shall be numbered from 1 to 16 as far as possible. When the total number exceeds 16 sets, the number of AID150 shall be increased and networking shall be conducted separately.

Headquarters: Acrel Co., Ltd.

Trade Company: Acrel E-Business (Shanghai) Co., Ltd.

Address: No.253 Yulv Road, Jiading District, Shanghai, China

TEL.: 0086-21-69156352

Web-site: [www.acrel-electric.com](http://www.acrel-electric.com)

E-mail: [sales@acrel-electric.com](mailto:sales@acrel-electric.com)

Postcode: 201801

Manufacturer: Jiangsu Acrel Electrical Manufacturing Co., Ltd.

Address: No.5 Dongmeng Road, Dongmeng industrial Park, Nanzha Street, Jiangyin City, Jiangsu  
Province, China

TEL./Fax: 0086-510-86179970

Web-site: [www.jsacrel.com](http://www.jsacrel.com)

E-mail: [sales@email.acrel.cn](mailto:sales@email.acrel.cn)

Postcode: 214405