

ALIBUS Series of intelligent  
lighting auxiliary power supply

Installation and Use Manual V1.0

# Declaration

The copyright is the property of Acrel. Any information in any paragraph or section cannot be extracted, copied or otherwise reproduced or propagated. Otherwise offenders shall take all consequences.

All rights are reserved.

Acrel reserves the right to modify the product specifications herein without notification. Please consult the local agent about the latest specifications before placing a purchase order.

# Contents

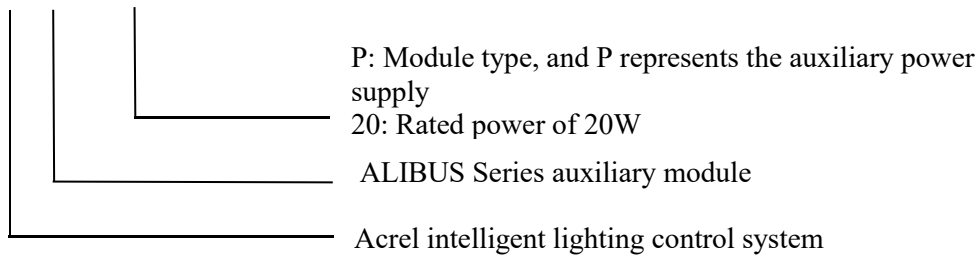
1. Overview.....	1
2. Product model number.....	1
3. Functional description.....	1
4. Technical parameters.....	1
5. Installation and wiring.....	2
5.1. Appearance and installation dimensions (in mm).....	2
5.2., Installation method.....	2
5.3. Description of the wiring terminal.....	3
5.4. System network diagram.....	3
6. Use the operation guide.....	3
6.1. ALIBUS mouth description.....	3
6.2. Description of the indicator light.....	4
7. Troubleshooting.....	4
8. Precautions.....	4

## 1. summary

ALIBUS Series, intelligent lighting auxiliary power ASL200-P20 (hereinafter referred to as auxiliary power), as a component of ALIBUS intelligent lighting control system, through ALIBUS intelligent lighting bus (super six shielding network cable) for drivers, intelligent panel, sensors and other equipment to provide DC24V power supply, avoid in the bus distance is too long and excessive load equipment voltage low caused equipment operation failure, in large public, building lighting intelligent control, the role of expanding system capacity, to ensure the stability of the system control. The module has high stability and high reliability.

## 2. product model

### ASL 200 - P20



## 3. functional description

ASL200-P20 is AC 220V to DC24V, which provides power supply for other equipment on the bus through the ALIBUS bus (super six shielding network cable) interface, so as to avoid communication failure caused by low voltage in the case of long bus distance and excessive number of load equipment.

## 4. technical parameter

Table 1: Technical parameters table

working power supply	AC220V±10%, 50Hz
Power supply output	DC24V, 0.83A
External connection	Super six-class shielding network cable
temperature range	Operating temperature: -5°C ~ + 45°C
	Storage temperature: -25°C ~ + 55°C
	Transportation temperature: -30°C ~ + 70°C
Environmental requirements	Maximum air humidity: 95%
Case protection grade	IP20
install	Guide rail installation

## 5. Installation and wiring

### 5.1. Appearance and installation dimensions (in mm)

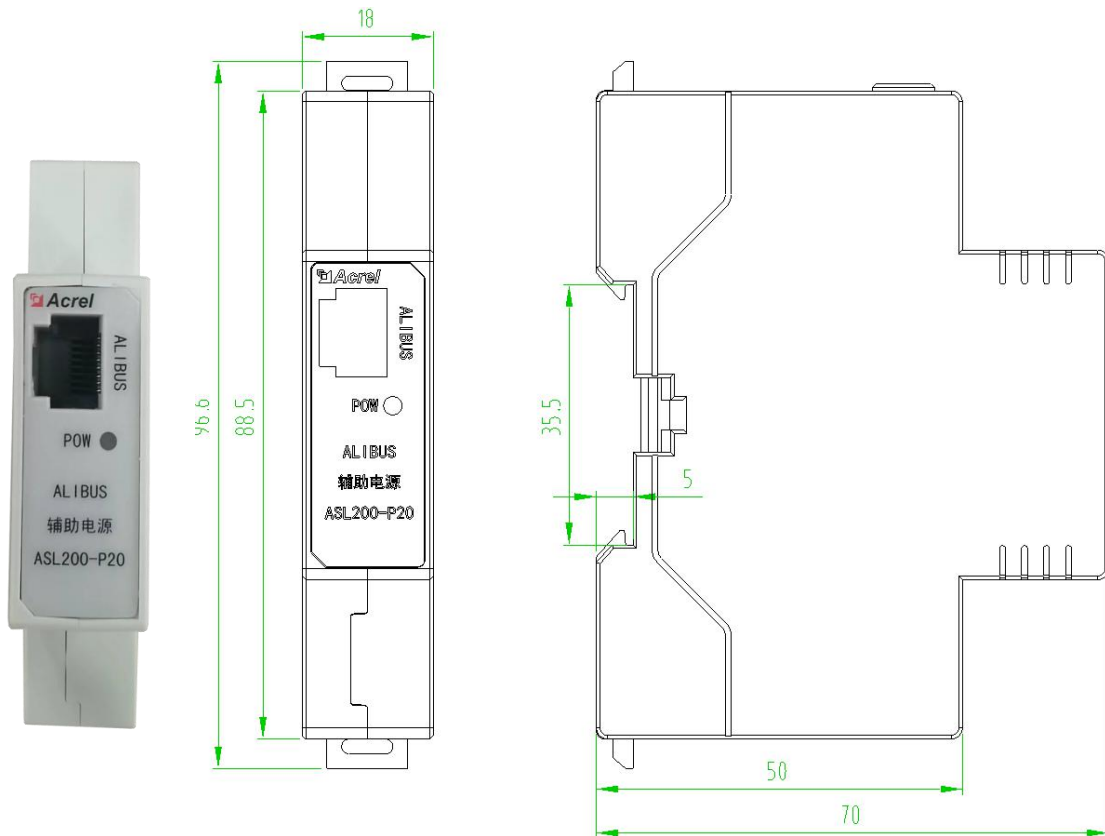


Figure 1 Physical drawing Figure 2 Outline dimensions

### 5.2., Installation method

The converter is suitable for guide rail installation, by holding the converter into the track and the buckle.

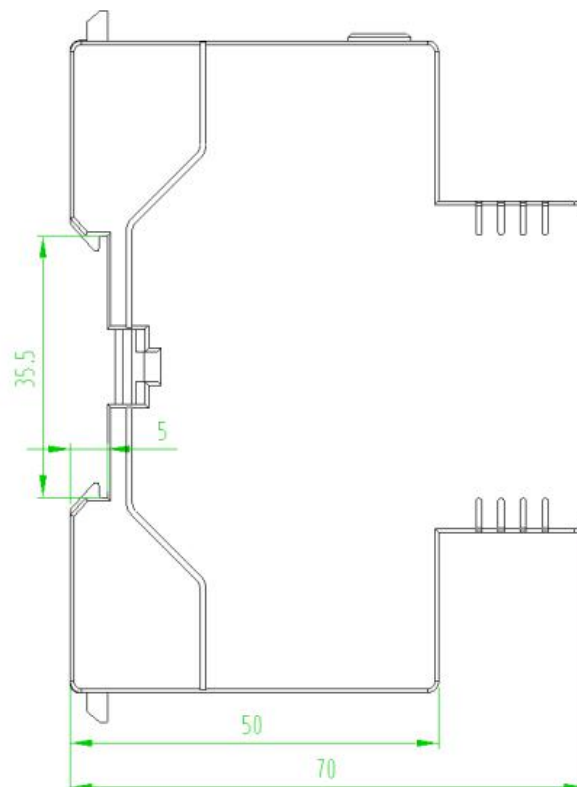
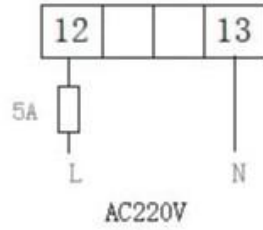


Figure 3. Installation mode diagram

5.3. Description of the wiring terminal



5.4. System network diagram

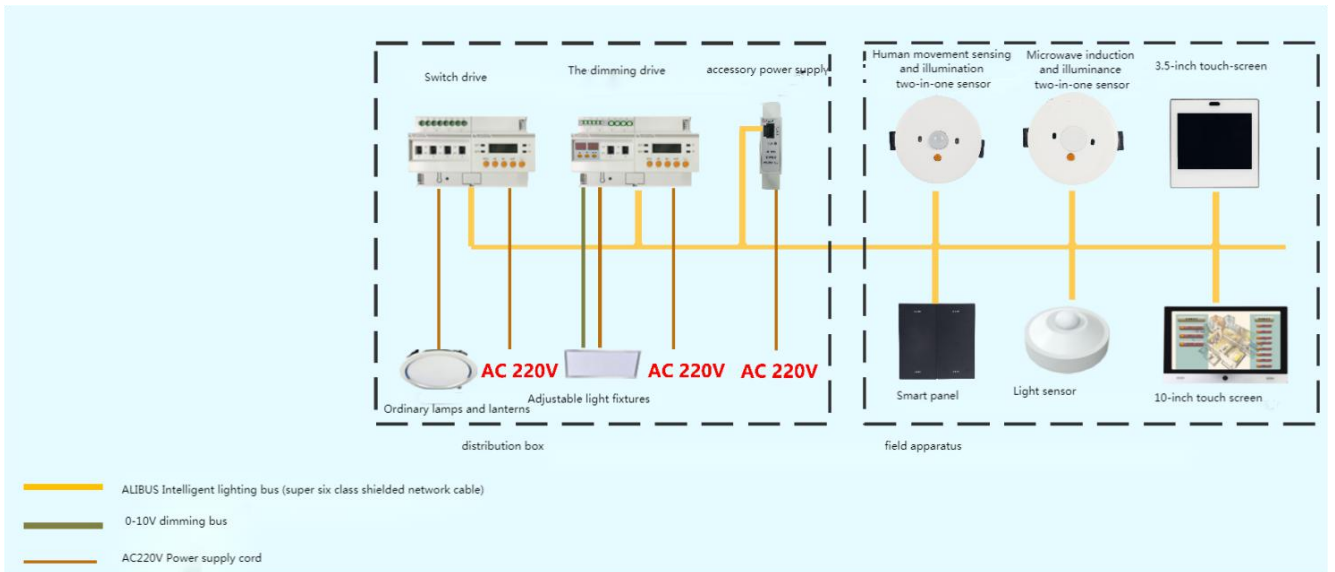


Figure 4. System Networking diagram

6. Use the operational guidelines

6.1. ALIBUS mouth description

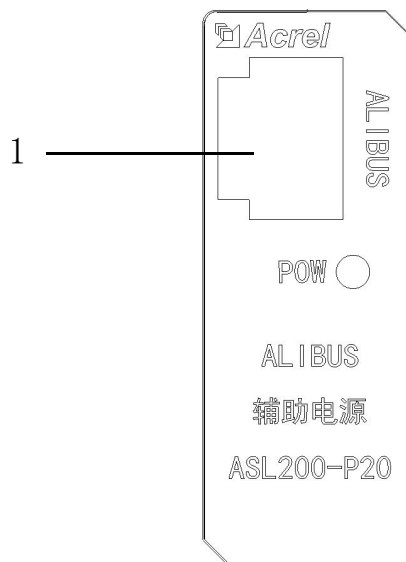


Table 2 Network port description table

appearance	order number	name	act on	remarks
accessory power supply	1	ALIBUS joggle	supply electricity	Using the standard RJ 45 interface, Super six-class shielding network cable

## 6.2. Description of the indicator light

- POW indicator: 24V power output is normal, the indicator is red; 24V power has no output, the indicator is off.

## 7. troubleshooting

- Under the normal conditions of AC220V power supply, the indicator light is not on, please contact the manufacturer and supplier for replacement or repair.

## 8. matters need attention

- Before using the product, please check whether the appearance is in good condition. If there is damage, find the seller for replace in time.
- Wire correctly according to the instruction manual, and carefully check after the wiring to ensure that the wiring is correct.
- When wiring, please select the cables conforming to the ALIBUS interface (network port) and the bus cable (super class 6 shielding network cable).
- In the process of product use, pay attention to moisture-proof, shock-proof and dustproof.
- Products are strictly prohibited to rain or contact with other liquids and corrosive gases, such as damp or liquid invasion, please dry treatment in time. For product installation, repair and replacement, please contact the professional maintenance personnel or our company.

### Change the record

Revised edition	Revision time	Revised terms



Headquarters: Acrel Co., LTD.

Address: No.253 Yulv Road Jiading District, Shanghai, China

TEL.: 0086-21-69158338 0086-21-69156052 0086-21-59156392 0086-21-69156971

Fax: 0086-21-69158303

Web-site: [www.acrel-electric.com](http://www.acrel-electric.com)

E-mail: [ACREL008@vip.163.com](mailto:ACREL008@vip.163.com)

Postcode: 201801

Manufacturer: Jiangsu Acrel Electrical Manufacturing Co., LTD.

Address: No.5 Dongmeng Road,Dongmeng industrial Park, Nanzha Street,Jiangyin City,Jiangsu Province,China

TEL: 0086-510-86179966

Fax: 0086-510-86179975

Web-site: [www.jsacrel.com](http://www.jsacrel.com)

Postcode: 214405

E-mail: [sales@email.acrel.cn](mailto:sales@email.acrel.cn)