

T188



ADW400 环保监测模块 (HY)
ADW400 Environmental monitoring
module(HY)

安装使用说明书 T1.2
Installation and Use Manual T1.2

安科瑞电气股份有限公司

Acrel Co., Ltd.

申 明

State

版权所有，未经本公司之书面许可，此手册中任何段落，章节内容均不得被摘抄、拷贝或以任何形式复制、传播，否则一切后果由违者自负。

本公司保留一切法律权利。

The copyright is the property of Acrel. Any information in any paragraph or section cannot be extracted, copied or otherwise reproduced or propagated. Otherwise offenders shall take all consequences.

All rights are reserved.

本公司保留对手册所描述之产品规格进行修改的权利，恕不另行通知。订货前，请垂询当地代理商以获悉本产品的当前规格。

Acrel reserves the right to modify the product specifications herein without notification. Please consult the local agent about the latest specifications before placing a purchase order.

说明书修改记录 Record of the Manual revision

日期 date	旧版本 legacy version	新版本 new version	备注
20220902	T1.0	T1.1	更改互感器穿孔尺寸
20221108	T1.1	T1.2	<p>1. 目录优化，简化第七章目录，并分级划分内容，附上英文注释</p> <p>1.Catalogue optimization, simplify chapter 7 section catalogue, and classify the content, attached with English comments</p> <p>2. 添加寄存器地址，并附上英文注释</p> <p>2.Add a register address with the English notes</p>

目录

Contents

1 概述 Overview.....	1
2 产品型号规格 Product specification.....	1
2.1 ADW400 主体模块命名规则 Naming rules of ADW400 main module.....	1
2.2 配套互感器命名规则 Naming rule of mutual inductor.....	2
2.3 规格型号 Model and specification.....	2
3 技术参数 Technical parameter.....	2
3.1 无线计量模块 Wireless performance.....	2
3.2 电气特性 Electrical Performance.....	3
3.3 环境条件 Work environment.....	3
4 外形尺寸及安装说明（单位：mm） Dimension and installing description (Unit: mm).....	4
4.1 外形尺寸(单位：mm) Dimension drawings (Unit: mm).....	4
4.2 安装说明 Installing description.....	5
4.3 接线说明 Communication description.....	6
5 操作与显示 Operating and display.....	9
6 通信说明 Communication description.....	9
6.1 通信协议 Communication protocol.....	9
6.2 MODBUS 通讯 MODBUS communication.....	10
7 常见故障排查 Troubleshooting of Common Faults.....	81
7.1 指示灯问题 Indicator lamp problem.....	81
7.2 无线通讯故障 Wireless communication failure.....	81

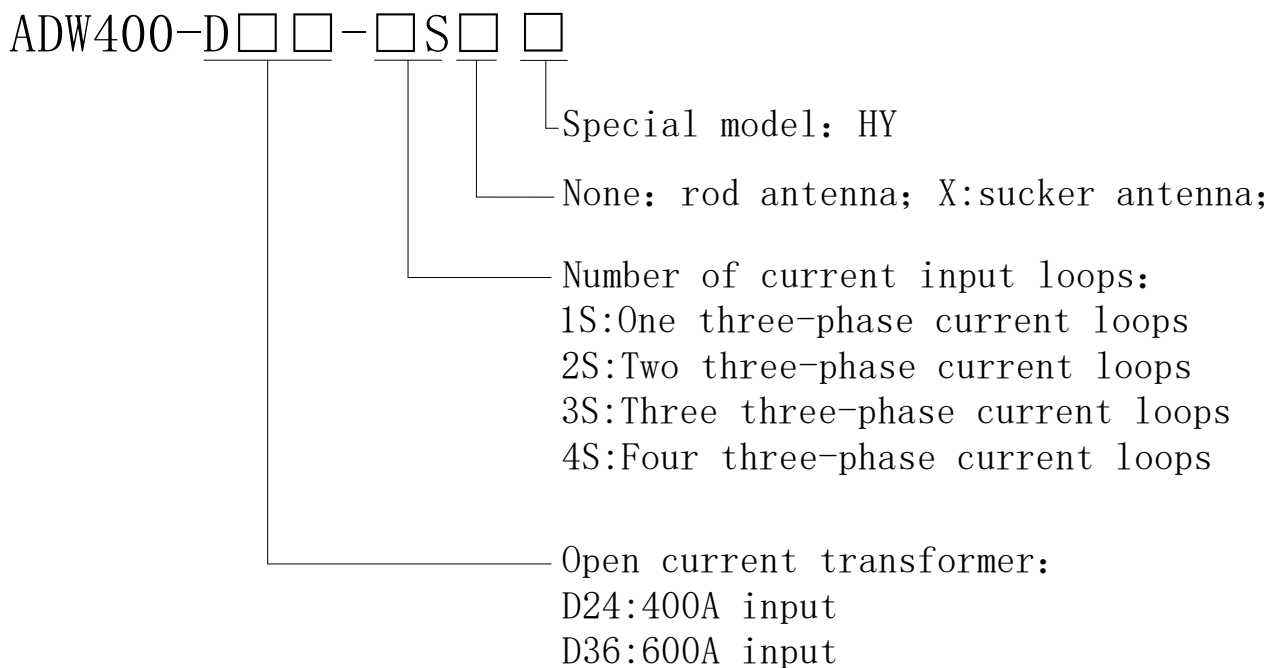
1 概述 Overview

ADW400 环保监测模块主要用于计量低压网络的三相有功电能，同时可选择最大四个回路的电流输入，具有 RS485 通讯和 470MHz 无线通讯功能，方便用户进行用电监测、集抄和管理。可灵活安装于配电箱内，实现对不同区域和不同负荷的分项电能计量，统计和分析。

ADW400 environmental protection monitoring module is mainly used to measure three-phase active power of low-voltage network. At the same time, it can select the current input of the largest four loops. It has RS485 communication and 470MHz wireless communication functions, which is convenient for users to monitor, collect and manage electricity. It can be flexibly installed in the distribution box to realize the measurement, statistics and analysis of individual electric energy in different regions and loads.

2 产品型号规格 Product model specification

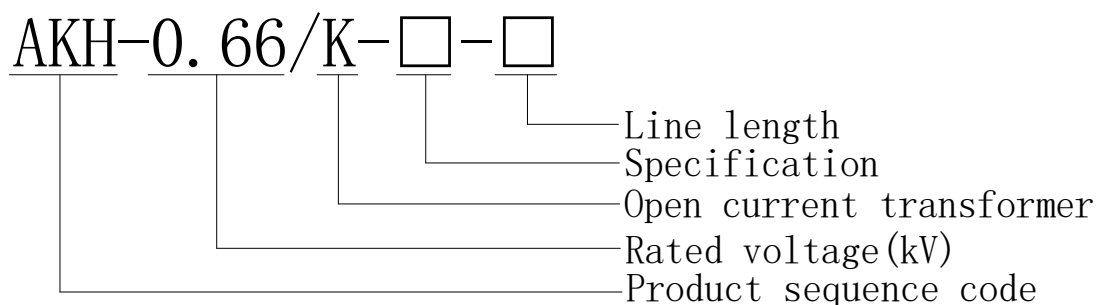
2.1 ADW400 主体模块命名规则 Naming rules for ADW400 main module



注:可选择外置吸盘天线, 标配线长 2 米。

Notes:can choose external sucker antenna with standard wiring length of 2 meters.

2.2 配套互感器命名规则 Naming rules for mutual inductor



2.3 规格型号 Model and specification

表 1 ADW400 配套互感器规格型号

Table 1 Model and specification of mutual inductor of ADW400

电压规格 Voltage specification	仪表型号 Meter model	电流规格 Current specification	配套计量互感器 Matched measuring transformers
3×380V 3×220/380V	ADW400-D24-NS(HY)	3×80(400)A	AKH-0.66 K-20(RJ12 组合 HY)-2.0M
	ADW400-D36-NS(HY)	3×120(600)A	AKH-0.66 K-36(RJ12 组合 HY)-2.0M

3 技术参数 Technical parameter

3.1 无线计量模块 Wireless measuring model

表 2 ADW400 主要功能

Table 2 ADW400 main function

功能 function	功能说明 Function description
电能计量 Electric energy metering	有功电能计量（正、反向） Active power metering (positive、active)
电量测量 Electricity measurement	U、I、 P、 Q、 S、 PF、 F、 H
LED 指示 LED indicator	(UA、 UB、 UC) 电压输入指示； (UA、 UB、 UC)Voltage input indication; (DI1、 DI2、 DI3、 DI4) 开关量输入指示； (DI1、 DI2、 DI3、 DI4) Switch input indication; (COM) RS485/LORA 通讯指示； (COM)RS485/LORA Communication indication
通讯 communication	470MHz 无线传输 470MHz Wireless communication
	红外通讯 Infrared Communication
	RS485 接口 RS485 interface

注：“有源开关量输入 DI” 仅用于接线方式为三相四线时，三相三线时禁止使用；

Note: "Active Switch value Input DI" is only used when the wiring mode is three-phase four-wire, and the three-phase three-wire use is prohibited;

3.2 电气特性 Electrical characteristics

表 3 ADW400 电气特性

Table 3 ADW400 electrical characteristics

电压输入 Voltage input	额定电压 Rated voltage	3×220/380V
	参比频率 Reference frequency	50Hz
	功耗 Power consumption	<10VA (A 相 phrase)、<0.5VA (B 相 phrase、C 相 phrase)
电流输入 Current input	输入电流 Input current	3×80(400)A、3×120(600)A
	起动电流 Start current	4%I _b (1 级) (1class)
	功耗 Power consumption	<2VA
测量性能 Measurement performance	符合标准 Standard	GB/T17215.321-2008、GB/T17215.322-2008
	有功电能精度 Active energy accuracy	1 级 1class
通信 Communication	无线 wireless	470MHz 无线传输，空旷时传输距离：1km Transmission on 470MHz and maximum distance in open space is 1km
	红外通讯 Infrared communication	波特率固定为 1200 The constant baud rate is 1200
	接口 Interface	RS485(A、B)
	介质 Connection mode	屏蔽双绞线 Shielded twisted pair conductors
	协议 Protocol	MODBUS-RTU

3.3 环境条件 Working environment conditions

表 4 ADW400 环境条件

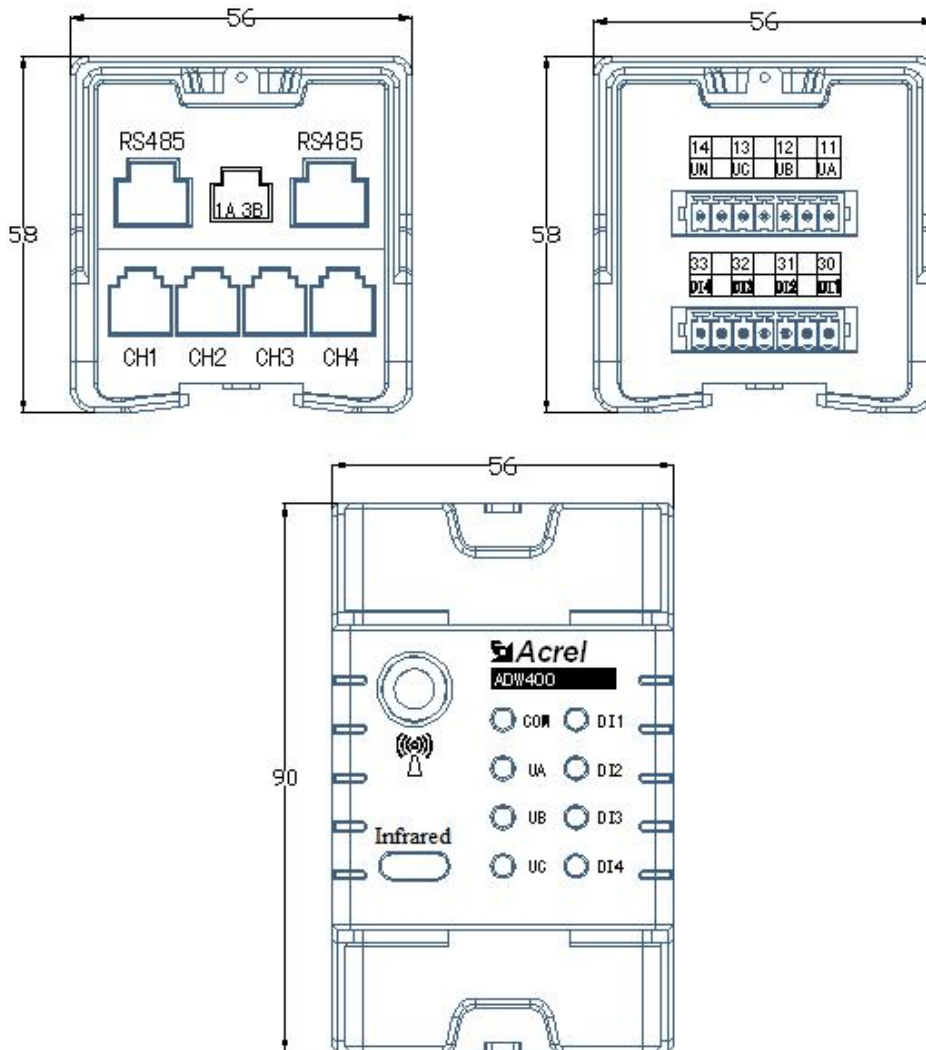
Table 4 ADW400 working environment conditions

温度范围 Temperature range	工作温度 Operating temperature	-25°C~55°C
	存储温度 Storage temperature	-40°C~70°C
湿度 Humidity		≤95% (无凝露) (No condensation)
海拔 Altitude		<2000m

4 外形尺寸及安装说明 (单位: mm) Outline dimensions and installation instructions

4.1 外形尺寸(单位: mm) Outline dimensions (Unit: mm)

(1) ADW400 尺寸图 Dimension of ADW400



ADW400 尺寸图 Dimension of ADW400

(2) 配套互感器外形尺寸 Dimension of mutual inductor

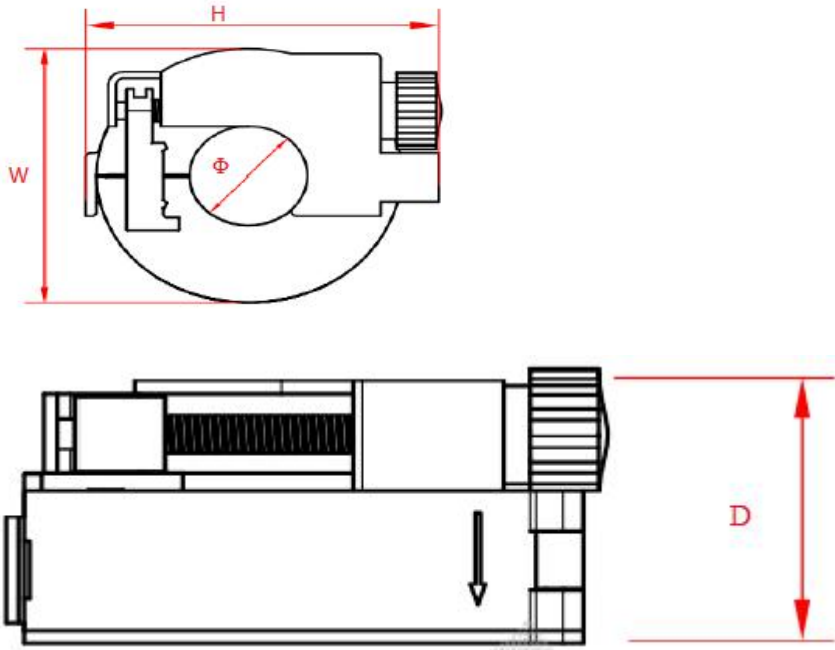
表 5 配套互感器外形尺寸

Table 5 Dimension of mutual inductor

规格 specification	外形尺寸 Dimension drawings (mm) 公差 tolerance (mm)			穿孔尺寸 Perforation size (mm) 公差 tolerance (mm)
	W	H	D	Φ
AKH-0.66 K-20(RJ12 组合 HY)-2.0M	57±2	70.5±2	35±1	22±1
AKH-0.66 K-36(RJ12 组合 HY)-2.0M	71±2	85±2	35±1	36±1

注: CH1~4 每个回路的 3 个互感器共用同一条线束, 线长 2m。

Notes: CH1~4 Three transformers in each circuit share a wire harness with a length of 2 meter.

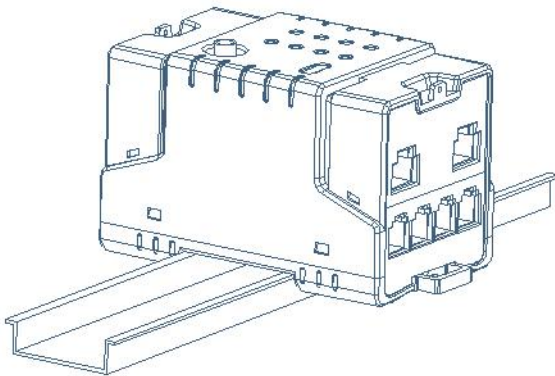


配套互感器尺寸图

Dimension of mutual inductor

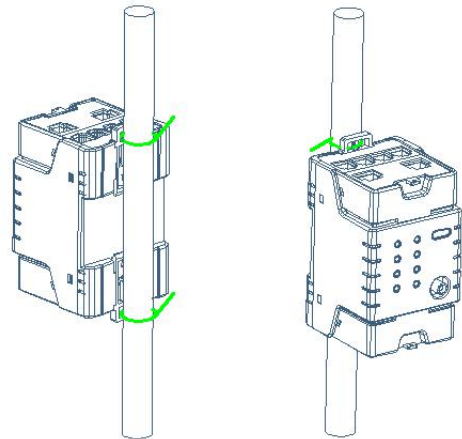
4.2 安装说明 Installing description

ADW400 安装方式便利，导轨式安装和垂直安装；CH1~4 同时可选择最大四个回路的电流输入；
The ADW400 installation mode is convenient, with guide rail installation and vertical installation; in CH1~4, you can also select the maximum of four circuits of the current input;



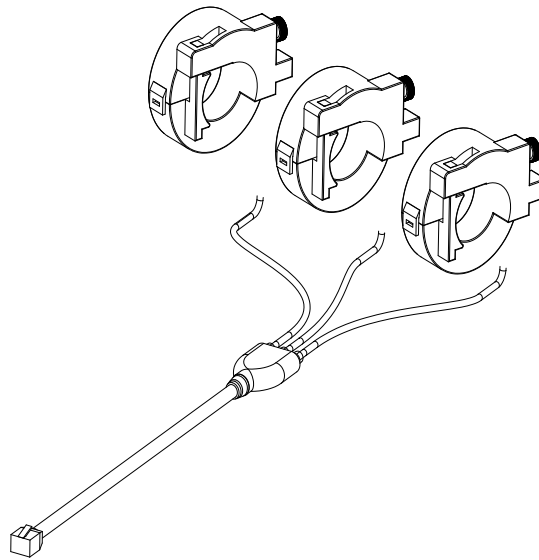
安装方式一、导轨式安装

Installation Mode 1: rail-type installation



安装方式二、垂直安装于电缆

Installation Mode 2: Vertical Installation



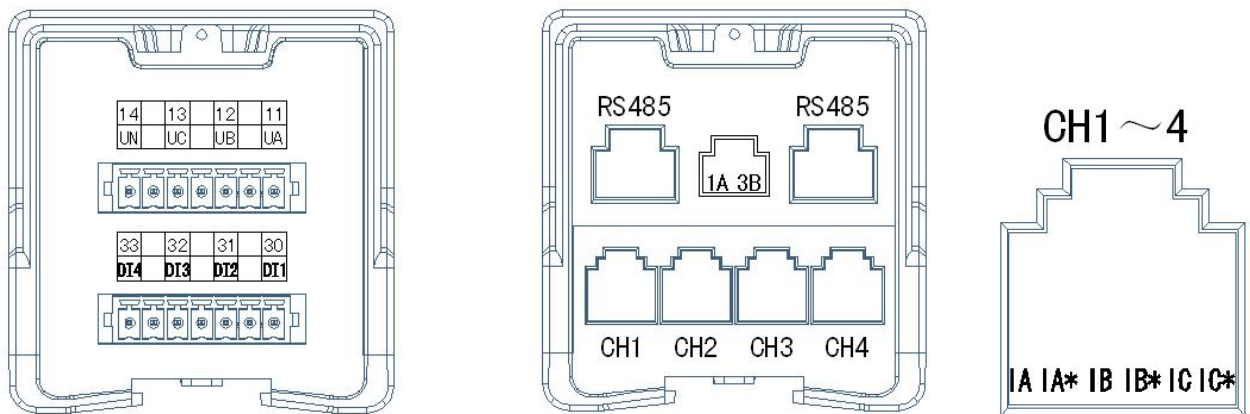
CH1~4 同时可选择最大四个回路

CH1~4 can select the maximum four loops at the same time

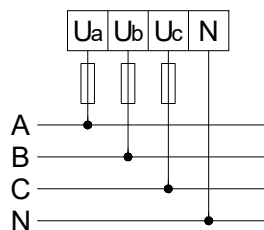
4.3 接线说明 wiring explain

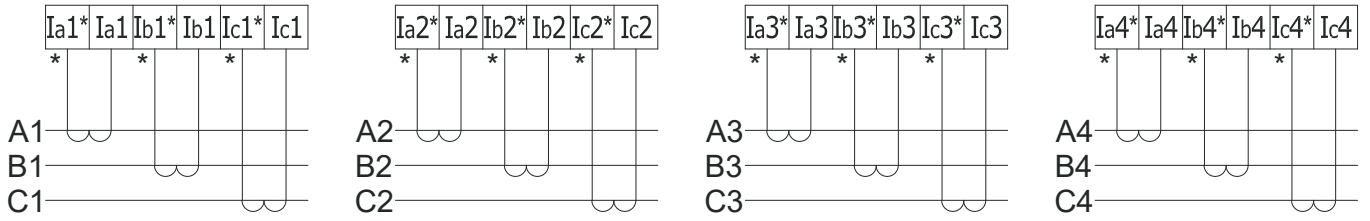
接线端子如下图所示，A、B、C 互感器的电流信号线分别接 IA（进）、IA*（出）；IB（进）、IB*（出），IC（进）、IC*（出）；A、B、C 三相的电压信号线分别接到 UA、UB、UC 端子；N 线接到 UN 端子。

The terminal is shown in the following figure, the current signal lines of A, B and C transformers are respective connected to IA(input), IA*(output); IB(input), IB*(output) and IC(input), IB(output); A, B and C three-phase voltage signal lines are respective connected to UA, UB and UC terminals ; N is connected to UN terminals.

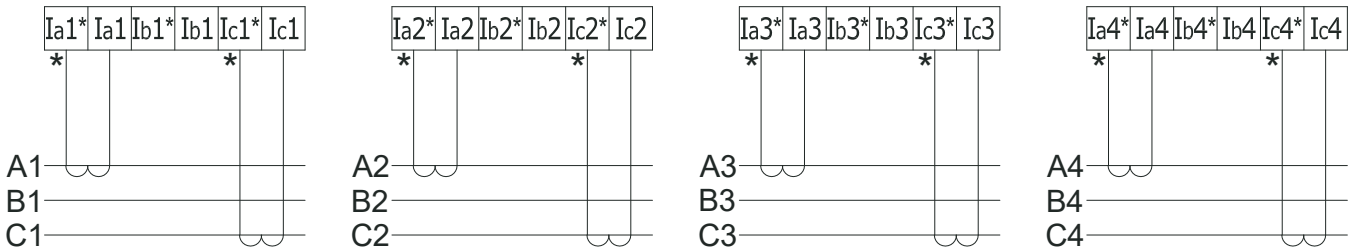
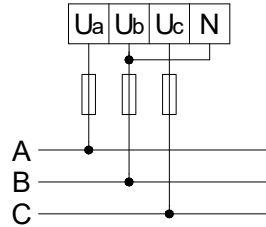


(1)直接一次电流接入 Direct primary current access



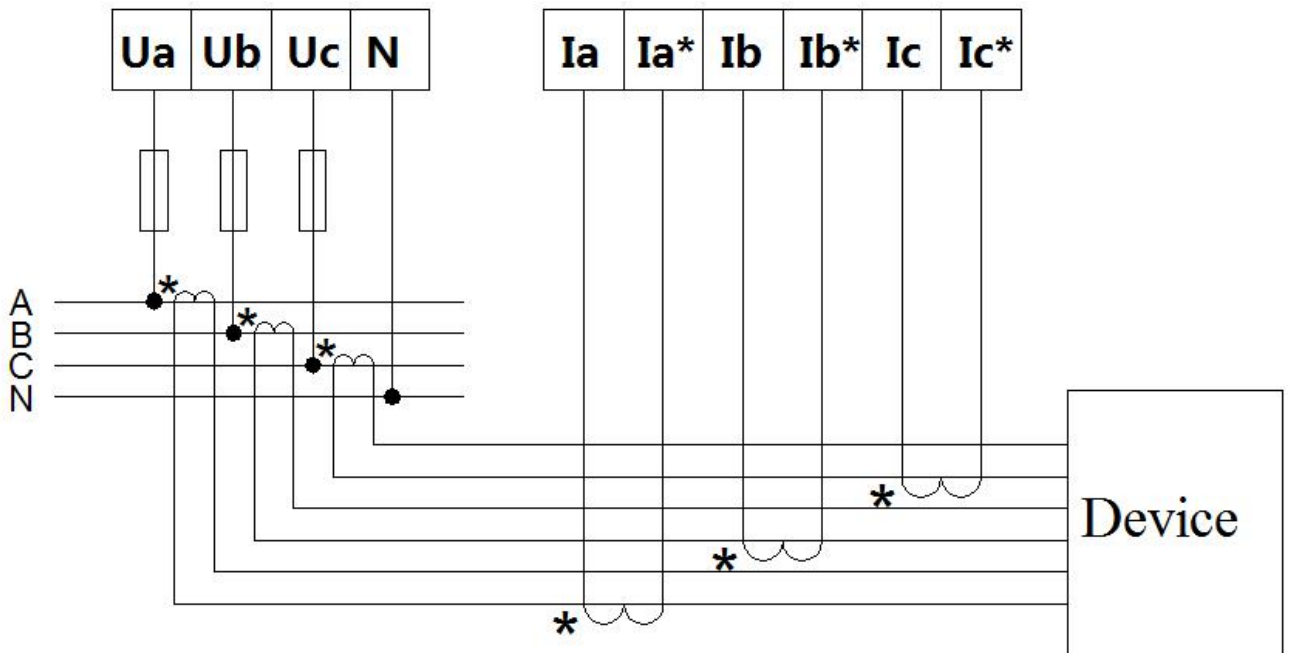


三相四线 3-phase 4-wire



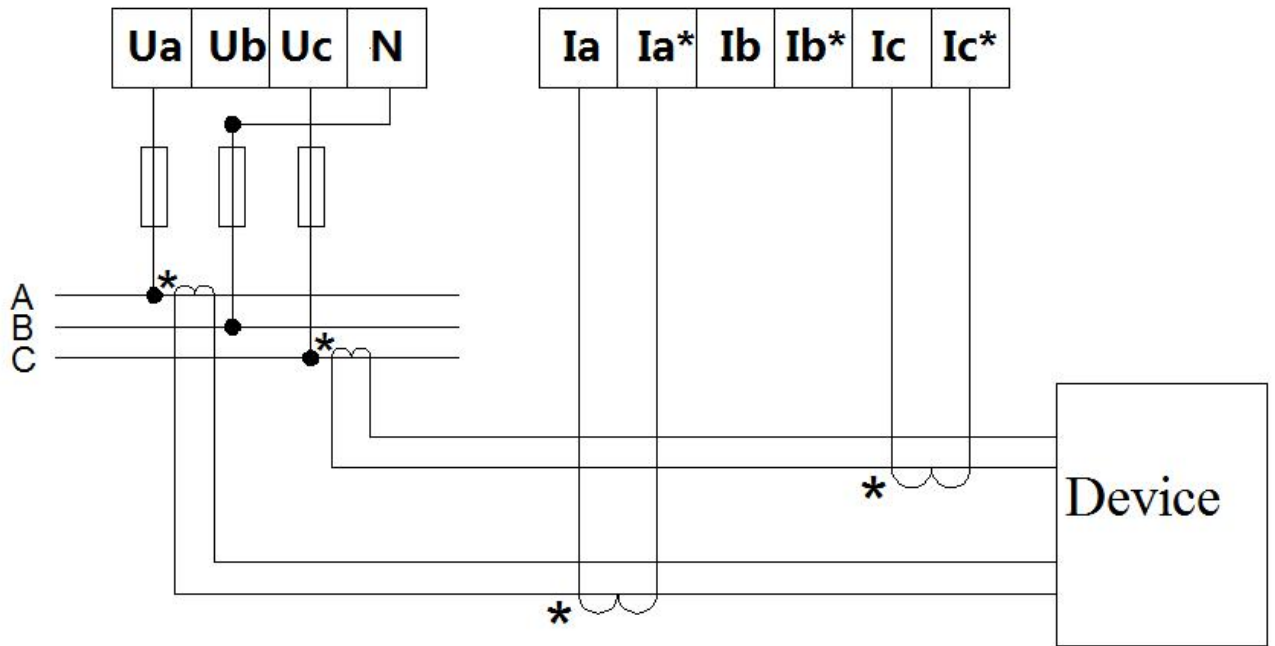
三相三线 3-phase 3-wire

(2) 间接二次电流接入 Indirect secondary current access

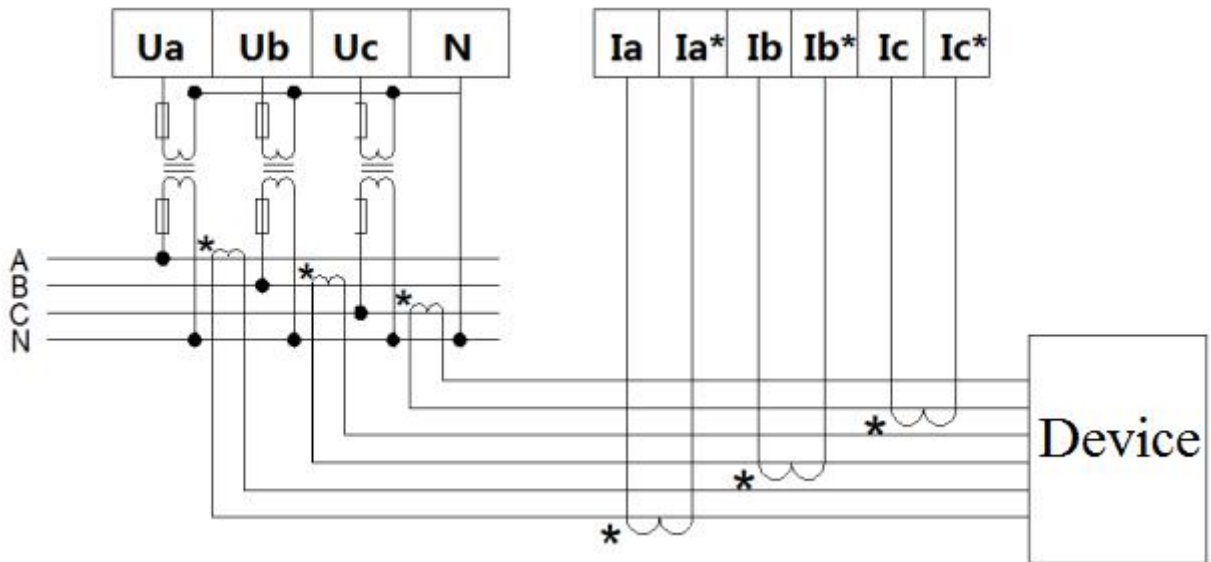


三相四线(电流经互感器接入)

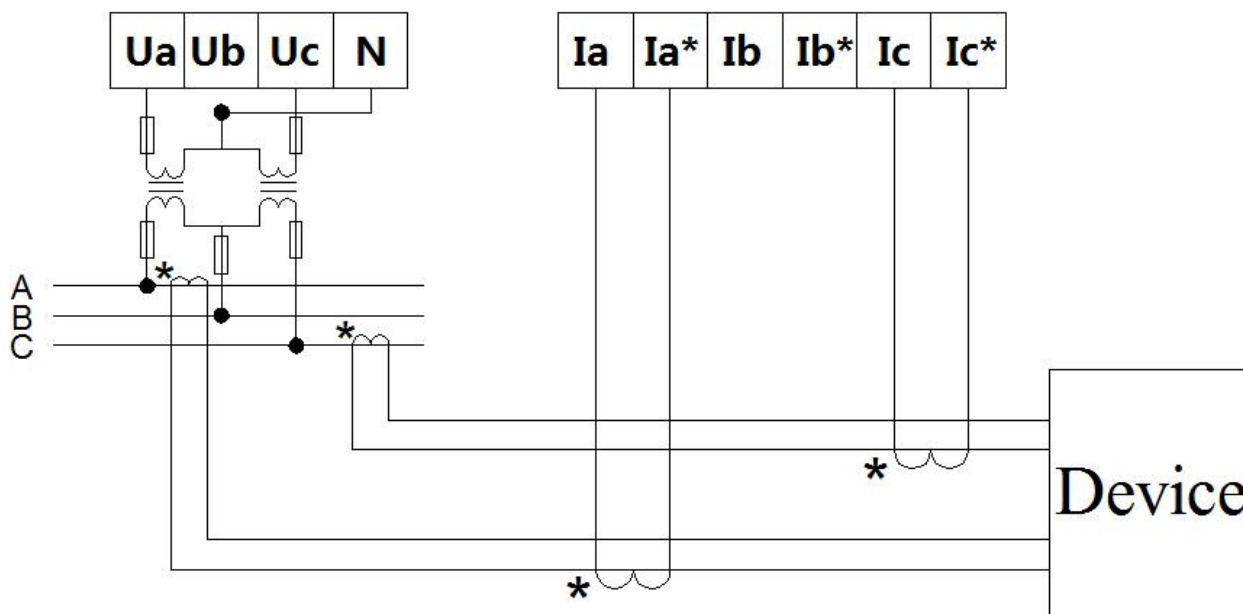
3-phase 4-wire (current connected via CT)



三相三线(电流经互感器接入)
3-phase 3-wire (current connected via CT)



三相四线(电压、电流经互感器接入)
3-phase 4-wire (voltage and current connected via CT)



三相三线(电压、电流经互感器接入)
3-phase 3-wire (voltage and current connected via CT)

5 操作与显示 Operation and Display

在壳体的正面有 8 个 LED 指示灯，分别为：“DI1”、“DI2”、“DI3”、“DI4”、“UA”、“UB”、“UC”、“COM”。

There are eight LED lights on the front of the front of the casing: "DI1", "DI2", "DI3", "DI4", "UA", "UB", "UC", "COM".

1) 当外部有开关量输入时，“DI1”、“DI2”、“DI3”、“DI4”四个指示灯亮；

Hour external switching input is available, “DI1”、“DI2”、“DI3”、“DI4” four lights on.

2) 当外部有电压输入时，“UA”、“UB”、“UC”三个指示灯亮；

Hour there is an external voltage input, “UA”、“UB”、“UC” three lights on.

3) “COM”处有指示闪烁，当红灯闪烁时，表示仪表进行“LORA”通讯；当绿灯闪烁时，表示仪表进行RS485通讯；

COM has indicator flashing, hour the red light flickers, indicating that the instrument carries out "LORA" communication, hour the green light flickers, indicating that the instrument carries out RS485 communication.

6 通信说明 Communication Notes

6.1 通信协议 Communication protocol

本仪表采用 MODBUS-RTU 协议或 DL/T645 规约。具体协议格式请参照相关协议标准，此处不再赘述。

The instrument adopts MODBUS-RTU protocol or DL/645 protocol. For specific protocol formats, please refer to the relevant protocol standards.

6.2 MODBUS 通讯 MODBUS communication

使用 Modbus 协议进行通讯时，读数据命令功能码为 03H，写数据命令功能码为 10H。

ADW400 寄存器地址简表

数据类型 Data type	序号 order numbe	地址 address
通用数据 conventional data	1~20	0000~0013
第一回路数据 First loop data	21~447	0014~01BE
第二回路数据 Second loop data	448~874	01BF~0369
第三回路数据 Third loop data	875~1301	036A~0514
第四回路数据 Fourth loop data	1302~1728	0515~06BF
通用数据 conventional data	1729~1779	06C0~06F2

具体 ADW400 寄存器地址表如下：

The specific ADW400 register address list is as follows:

序号 order number	地址 address	名称 name	参数范围 Parameter range	属性 attri butes	默认值 Window s defaul t	备注 remarks
通用数据 conventional data 0000~0013						
1	0000	通讯地址 postal address		R/W	1	1-247
2	0001	波特率 Baud rate		R/W	4	1:1200, 2:2400, 3:4800, 4:9600
3	0002	扩频因子 spreading factor		R/W	9	7-12
4	0003	频道 frequency channel		R/W	5	0-10
5	0004	高位：校验位，低位：停止位 High level: check bit, low: stop bit		R/W	0	
6	0005	需量周期 Demand period	1-4	R/W	1	
7	0006	电参量存储间隔 Electrical parameter storage interval	1-15	R/W	15	分钟 minute
8	0007	仪表控制字(高字节：线制；低字节：预留) Instrument control word (high bytes: line system; low bytes: reserved)		R/W		
9	0008	序列号[0]序列号[1] Serial number [0] serial number [1]		R/W		
10	0009	序列号[2]序列号[3] Serial number [2] serial number [3]		R/W		
11	000A	序列号[4]序列号[5] Serial number [4] serial number [5]		R/W		
12	000B	序列号[6]序列号[7] Serial number [6] serial number [7]		R/W		
13	000C	序列号[8]序列号[9]		R/W		

		Serial number [8] serial number [9]				
14	000D	序列号[10]序列号[11] Serial number [10] serial number [11]		R/W		
15	000E	序列号[12]序列号[13] Serial number [12] serial number [13]		R/W		
16	000F	回路数 Number of loops	1-4	R/W	4	
17	0010	电流规格 Current specifications	0-4	R/W		
18	0011	日期时间[0] Date, time, and time, [0]		R/W		秒、分 Seconds, minutes
19	0012	日期时间[1] Date, time, and time, [1]		R/W		时、日 Hour, day
20	0013	日期时间[2] Date, time, and time, [2]		R/W		月、年 Month, year
第一回路数据 First loop data0014~0196						
21	0014	A相电压 A phase voltage		R		无符号整型, Unsigned type 保留1位小数 Keep 1 bit decimal 如数值 U=2201, 则电压: 2201*0.1=220.1V
22	0015	B相电压 B phase voltage		R		
23	0016	C相电压 C phase voltage		R		
24	0017	AC线电压 AC line voltage		R		
25	0018	BC线电压 BC line voltage		R		
26	0019	CA线电压 CA line voltage		R		
27	001A	A相电流 A phase current		R		无符号整型, Unsigned type 保留2位小数 Keep 2 decimal places 如数值 I=201, 则电流: 201*0.01=2.01A
28	001B	B相电流 B phase current		R		
29	001C	C相电流 C phase current		R		
30	001D	三相电流矢量和 The three-phase current vector and		R		
31	001E	A相有功功率[0] Phase A active power is [0]		R		有符号整型, There is a symbolic type 保留3位小数 Keep 3 decimal places 如数值 U=1201, 则功率: 1201*0.001=1.201kW/kVar
32	001F	A相有功功率[1] Phase A has an active power of [1]		R		
33	0020	B相有功功率[0] Phase B active power is [0]		R		
34	0021	B相有功功率[1] Phase B has an active power of [1]		R		
35	0022	C相有功功率[0] Phase C active power is [0]		R		
36	0023	C相有功功率[1] Phase C active power is [1]		R		
37	0024	总有功功率[0] Total active power: [0]		R		
38	0025	总有功功率[1] Total active power: [1]		R		
39	0026	A相无功功率[0] Phase A has a reactive power of [0]		R		
40	0027	A相无功功率[1] Phase A has a reactive power of [1]		R		

41	0028	B相无功功率[0] Phase B with a reactive power of [0]		R			
42	0029	B相无功功率[1] Phase B with a reactive power of [1]		R			
43	002A	C相无功功率[0] C-phase reactive power of [0]		R			
44	002B	C相无功功率[1] C-phase reactive power of [1]		R			
45	002C	总无功功率[0] Total reactive power: [0]		R			
46	002D	总无功功率[1] Total reactive power: [1]		R			
47	002E	A相视在功率[0] A Phase Vision at power [0]		R		无符号整型, Unsigned type 保留 3 位小数 Keep 3 decimal places 如数值 U=1201, 则功率: 1201*0.001=1.201kVA	
48	002F	A相视在功率[1] A Phase Vision at power [1]		R			
49	0030	B相视在功率[0] B Phase Vision at power [0]		R			
50	0031	B相视在功率[1] B Phase Vision at power [1]		R			
51	0032	C相视在功率[0] C Phase Vision at power [0]		R			
52	0033	C相视在功率[1] C Phase Vision at power [1]		R			
53	0034	总视在功率[0] Total visual power [0]		R			
54	0035	总视在功率[1] Total visual power [1]		R			
55	0036	A相功率因数 Phase A power factor		R			有符号整型, There is a symbolic type 保留 3 位小数 Keep 3 decimal places 如数值 U=987, 则功率因数: 987*0.001=0.987
56	0037	B相功率因数 Phase B power factor		R			
57	0038	C相功率因数 Phase C power factor		R			
58	0039	总功率因数 Total power factor		R			
59	003A	功率方向 Power direction		R			
60	003B	频率 frequency		R		无符号整型, Unsigned type 保留 2 位小数 Keep 2 decimal places	
61	003C	当前总有功电能[0] Current Total active electric energy[0]		R		无符号整型, Unsigned type 保留 2 位小数 Keep 2 decimal places 如数值 U=1201, 则有功/无	
62	003D	当前总有功电能[1] Current Total active electric energyr[1]		R			

63	003E	当前正向总有功电能[0] Current Forward Total active electric energy[0]		R		功电能: 1201*0.01=12.01kWh/kVarh
64	003F	当前正向总有功电能[1] Current Forward Total active electric energy[1]		R		
65	0040	当前反向总有功电能[0] Current Reverse Total active electric energy[0]		R		
66	0041	当前反向总有功电能[1] Current Reverse Total active electric energy[1]		R		
67	0042	当前正向总无功电能[0] Current Forward Total reactive electric energy[0]		R		
68	0043	当前正向总无功电能[1] Current Forward Total reactive electric energy[1]		R		
69	0044	当前反向总无功电能[0] Current Reverse Total reactive electric energy[0]		R		
70	0045	当前反向总无功电能[1] Current Reverse Total reactive electric energy[1]		R		
71	0046	当前 A 相有功电能[0] Current Phase A active electric energy[0]		R		
72	0047	当前 A 相有功电能[1] Current Phase A active electric energy[1]		R		
73	0048	当前 A 相正向有功电能[0] Current Phase A Forward active electric energy[0]		R		
74	0049	当前 A 相正向有功电能[1] Current Phase A Forward active electric energy[1]		R		
75	004A	当前 A 相反向有功电能[0] Current Phase A Reverse active electric energy[0]		R		
76	004B	当前 A 相反向有功电能[1] Current Phase A Reverse active electric energy[1]		R		
77	004C	当前 A 相正向无功电能[0] Current Phase A Forward reactive electric energy[0]		R		
78	004D	当前 A 相正向无功电能[1] Current Phase A Forward reactive electric energy[1]		R		
79	004E	当前 A 相反向无功电能[0] Current Phase A Reverse reactive electric energy[0]		R		

80	004F	当前 A 相反向无功电能[1] Current Phase A Reverse reactive electric energy[1]		R	
81	0050	当前 B 相有功电能[0] Current Phase B active electric energy[0]		R	
82	0051	当前 B 相有功电能[1] Current Phase B active electric energy[1]		R	
83	0052	当前 B 相正向有功电能[0] Current Phase B Forward active electric energy[0]		R	
84	0053	当前 B 相正向有功电能[1] Current Phase B Forward active electric energy[1]		R	
85	0054	当前 B 相反向有功电能[0] Current Phase B Reverse active electric energy[0]		R	
86	0055	当前 B 相反向有功电能[1] Current Phase B Reverse active electric energy[1]		R	
87	0056	当前 B 相正向无功电能[0] Current Phase B Forward reactive electric energy[0]		R	
88	0057	当前 B 相正向无功电能[1] Current Phase B Forward reactive electric energy[1]		R	
89	0058	当前 B 相反向无功电能[0] Current Phase B Reverse reactive electric energy[0]		R	
90	0059	当前 B 相反向无功电能[1] Current Phase B Reverse reactive electric energy[1]		R	
91	005A	当前 C 相有功电能[0] Current Phase C active electric energy[0]		R	
92	005B	当前 C 相有功电能[1] Current Phase C active electric energy[1]		R	
93	005C	当前 C 相正向有功电能[0] Current Phase C Forward active electric energy[0]		R	
94	005D	当前 C 相正向有功电能[1] Current Phase C Forward active electric energy[1]		R	
95	005E	当前 C 相反向有功电能[0] Current Phase C Reverse active electric energy[0]		R	
96	005F	当前 C 相反向有功电能[1] Current Phase C Reverse active electric energy[1]		R	

		Current Phase C Reverse active electric energy[1]				
97	0060	当前 C 相正向无功电能[0] Current Phase C Forward reactive electric energy[0]		R		
98	0061	当前 C 相正向无功电能[1] Current Phase C Forward reactive electric energy[1]		R		
99	0062	当前 C 相反向无功电能[0] Current Phase B Reverse reactive electric energy[0]		R		
100	0063	当前 C 相反向无功电能[1] Current Phase C Reverse reactive electric energy[1]		R		
101	0064	正向有功最大需量[0] forward active maximum demand [0]		R		无符号整型, Unsigned type 保留 3 位小数 Keep 3 decimal places
102	0065	正向有功最大需量[1] forward active maximum demand [1]		R		
103	0066	发生时间: 分、时 Occurrence time: point, time		R		按字节解析, 如 0x0201, 表示 1 时 2 分 Parsing by byte, such as 0x0201, representing 1:02
104	0067	发生时间: 日、月 Time of occurrence: day and month		R		
105	0068	反向有功最大需量[0] Reverse active maximum demand [0]		R		无符号整型, Unsigned type 保留 3 位小数 Keep 3 decimal places
106	0069	反向有功最大需量[1] Reverse active maximum demand [1]		R		
107	006A	发生时间: 分、时 Occurrence time: point, time		R		按字节解析, 如 0x0201, 表示 1 点 2 分 Parsing by byte, such as 0x0201, representing 1:02
108	006B	发生时间: 日、月 Time of occurrence: day and month		R		
109	006C	正向无功最大需量[0] forward reactive maximum demand [0]		R		无符号整型, Unsigned type 保留 3 位小数 Keep 3 decimal places
110	006D	正向无功最大需量[1] forward reactive maximum demand [1]		R		
111	006E	发生时间: 分、时 Occurrence time: point, time		R		按字节解析, 如 0x0201, 表示 1 点 2 分 Parsing by byte, such as 0x0201, representing 1:02
112	006F	发生时间: 日、月 Time of occurrence: day and month		R		
113	0070	反向无功最大需量[0] Reverse reactive maximum demand [0]		R		无符号整型, Unsigned type 保留 3 位小数 Keep 3 decimal places
114	0071	反向无功最大需量[1] Reverse reactive maximum demand [1]		R		
115	0072	发生时间: 分、时 Occurrence time: point, time		R		按字节解析, 如 0x0201, 表示 1 点 2 分 Parsing by byte, such as
116	0073	发生时间: 日、月		R		

		Time of occurrence: day and month			0x0201, representing 1:02
117	0074	A 相电压总畸变 phase A voltage Total distortion		R	
118	0075	B 相电压总畸变 phase B voltage Total distortion		R	
119	0076	C 相电压总畸变 phase C voltage Total distortion		R	
120	0077	A 相电流总畸变 phase A current Total distortion		R	
121	0078	B 相电流总畸变 phase B current Total distortion		R	
122	0079	C 相电流总畸变 phase C current Total distortion		R	
123	007A	A 相电压 2 次谐波含量 Phase A voltage with 2-order harmonic content		R	
124	007B	A 相电压 3 次谐波含量 Phase A voltage with 3-order harmonic content		R	
125	007C	A 相电压 4 次谐波含量 Phase A voltage with 4-order harmonic content		R	
126	007D	A 相电压 5 次谐波含量 Phase A voltage with 5-order harmonic content		R	
127	007E	A 相电压 6 次谐波含量 Phase A voltage with 6-order harmonic content		R	
128	007F	A 相电压 7 次谐波含量 Phase A voltage with 7-order harmonic content		R	
129	0080	A 相电压 8 次谐波含量 Phase A voltage with 8-order harmonic content		R	
130	0081	A 相电压 9 次谐波含量 Phase A voltage with 9-order harmonic content		R	
131	0082	A 相电压 10 次谐波含量 Phase A voltage with 10-order harmonic content		R	
132	0083	A 相电压 11 次谐波含量 Phase A voltage with 11-order harmonic content		R	
133	0084	A 相电压 12 次谐波含量 Phase A voltage with 12-order harmonic content		R	
134	0085	A 相电压 13 次谐波含量 Phase A voltage with 13-order harmonic content		R	
135	0086	A 相电压 14 次谐波含量 Phase A voltage with 14-order harmonic content		R	
136	0087	A 相电压 15 次谐波含量 Phase A voltage with 15-order harmonic content		R	
137	0088	A 相电压 16 次谐波含量 Phase A voltage with 16-order harmonic content		R	
138	0089	A 相电压 17 次谐波含量 Phase A voltage with 17-order harmonic content		R	

无符号整型, Unsigned type
保留 2 位小数
Keep 2 decimal places
如数值 U=1201, 则谐波含量: $1201 \div 10000 = 12.01\%$

139	008A	A 相电压 18 次谐波含量 Phase A voltage with 18-order harmonic content		R	
140	008B	A 相电压 19 次谐波含量 Phase A voltage with 19-order harmonic content		R	
141	008C	A 相电压 20 次谐波含量 Phase A voltage with 20-order harmonic content		R	
142	008D	A 相电压 21 次谐波含量 Phase A voltage with 21-order harmonic content		R	
143	008E	A 相电压 22 次谐波含量 Phase A voltage with 22-order harmonic content		R	
144	008F	A 相电压 23 次谐波含量 Phase A voltage with 23-order harmonic content		R	
145	0090	A 相电压 24 次谐波含量 Phase A voltage with 24-order harmonic content		R	
146	0091	A 相电压 25 次谐波含量 Phase A voltage with 25-order harmonic content		R	
147	0092	A 相电压 26 次谐波含量 Phase A voltage with 26-order harmonic content		R	
148	0093	A 相电压 27 次谐波含量 Phase A voltage with 27-order harmonic content		R	
149	0094	A 相电压 28 次谐波含量 Phase A voltage with 28-order harmonic content		R	
150	0095	A 相电压 29 次谐波含量 Phase A voltage with 29-order harmonic content		R	
151	0096	A 相电压 30 次谐波含量 Phase A voltage with 30-order harmonic content		R	
152	0097	A 相电压 31 次谐波含量 Phase A voltage with 31-order harmonic content		R	
153	0098	B 相电压 2 次谐波含量 Phase B voltage with 2-order harmonic content		R	
154	0099	B 相电压 3 次谐波含量 Phase B voltage with 3-order harmonic content		R	
155	009A	B 相电压 4 次谐波含量 Phase B voltage with 4-order harmonic content		R	
156	009B	B 相电压 5 次谐波含量 Phase B voltage with 5-order harmonic content		R	
157	009C	B 相电压 6 次谐波含量 Phase B voltage with 6-order harmonic content		R	
158	009D	B 相电压 7 次谐波含量 Phase B voltage with 7-order harmonic content		R	
159	009E	B 相电压 8 次谐波含量 Phase B voltage with 8-order harmonic content		R	
160	009F	B 相电压 9 次谐波含量 Phase B voltage with 9-order harmonic content		R	
161	00A0	B 相电压 10 次谐波含量 Phase B voltage with		R	

		10-order harmonic content			
162	00A1	B相电压 11 次谐波含量 Phase B voltage with 11-order harmonic content		R	
163	00A2	B相电压 12 次谐波含量 Phase B voltage with 12-order harmonic content		R	
164	00A3	B相电压 13 次谐波含量 Phase B voltage with 13-order harmonic content		R	
165	00A4	B相电压 14 次谐波含量 Phase B voltage with 14-order harmonic content		R	
166	00A5	B相电压 15 次谐波含量 Phase B voltage with 15-order harmonic content		R	
167	00A6	B相电压 16 次谐波含量 Phase B voltage with 16-order harmonic content		R	
168	00A7	B相电压 17 次谐波含量 Phase B voltage with 17-order harmonic content		R	
169	00A8	B相电压 18 次谐波含量 Phase B voltage with 18-order harmonic content		R	
170	00A9	B相电压 19 次谐波含量 Phase B voltage with 19-order harmonic content		R	
171	00AA	B相电压 20 次谐波含量 Phase B voltage with 20-order harmonic content		R	
172	00AB	B相电压 21 次谐波含量 Phase B voltage with 21-order harmonic content		R	
173	00AC	B相电压 22 次谐波含量 Phase B voltage with 22-order harmonic content		R	
174	00AD	B相电压 23 次谐波含量 Phase B voltage with 23-order harmonic content		R	
175	00AE	B相电压 24 次谐波含量 Phase B voltage with 24-order harmonic content		R	
176	00AF	B相电压 25 次谐波含量 Phase B voltage with 25-order harmonic content		R	
177	00B0	B相电压 26 次谐波含量 Phase B voltage with 26-order harmonic content		R	
178	00B1	B相电压 27 次谐波含量 Phase B voltage with 27-order harmonic content		R	
179	00B2	B相电压 28 次谐波含量 Phase B voltage with 28-order harmonic content		R	
180	00B3	B相电压 29 次谐波含量 Phase B voltage with 29-order harmonic content		R	
181	00B4	B相电压 30 次谐波含量 Phase B voltage with 30-order harmonic content		R	
182	00B5	B相电压 31 次谐波含量 Phase B voltage with 31-order harmonic content		R	
183	00B6	C相电压 2 次谐波含量 Phase C voltage with 2-order harmonic content		R	

184	00B7	C 相电压 3 次谐波含量 Phase C voltage with 3-order harmonic content		R	
185	00B8	C 相电压 4 次谐波含量 Phase C voltage with 4-order harmonic content		R	
186	00B9	C 相电压 5 次谐波含量 Phase C voltage with 5-order harmonic content		R	
187	00BA	C 相电压 6 次谐波含量 Phase C voltage with 6-order harmonic content		R	
188	00BB	C 相电压 7 次谐波含量 Phase C voltage with 7-order harmonic content		R	
189	00BC	C 相电压 8 次谐波含量 Phase C voltage with 8-order harmonic content		R	
190	00BD	C 相电压 9 次谐波含量 Phase C voltage with 9-order harmonic content		R	
191	00BE	C 相电压 10 次谐波含量 Phase C voltage with 10-order harmonic content		R	
192	00BF	C 相电压 11 次谐波含量 Phase C voltage with 11-order harmonic content		R	
193	00C0	C 相电压 12 次谐波含量 Phase C voltage with 12-order harmonic content		R	
194	00C1	C 相电压 13 次谐波含量 Phase C voltage with 13-order harmonic content		R	
195	00C2	C 相电压 14 次谐波含量 Phase C voltage with 14-order harmonic content		R	
196	00C3	C 相电压 15 次谐波含量 Phase C voltage with 15-order harmonic content		R	
197	00C4	C 相电压 16 次谐波含量 Phase C voltage with 16-order harmonic content		R	
198	00C5	C 相电压 17 次谐波含量 Phase C voltage with 17-order harmonic content		R	
199	00C6	C 相电压 18 次谐波含量 Phase C voltage with 18-order harmonic content		R	
200	00C7	C 相电压 19 次谐波含量 Phase C voltage with 19-order harmonic content		R	
201	00C8	C 相电压 20 次谐波含量 Phase C voltage with 20-order harmonic content		R	
202	00C9	C 相电压 21 次谐波含量 Phase C voltage with 21-order harmonic content		R	
203	00CA	C 相电压 22 次谐波含量 Phase C voltage with 22-order harmonic content		R	
204	00CB	C 相电压 23 次谐波含量 Phase C voltage with 23-order harmonic content		R	
205	00CC	C 相电压 24 次谐波含量 Phase C voltage with 24-order harmonic content		R	
206	00CD	C 相电压 25 次谐波含量 Phase C voltage with		R	

		25-order harmonic content			
207	00CE	C相电压26次谐波含量 Phase C voltage with 26-order harmonic content		R	
208	00CF	C相电压27次谐波含量 Phase C voltage with 27-order harmonic content		R	
209	00D0	C相电压28次谐波含量 Phase C voltage with 28-order harmonic content		R	
210	00D1	C相电压29次谐波含量 Phase C voltage with 29-order harmonic content		R	
211	00D2	C相电压30次谐波含量 Phase C voltage with 30-order harmonic content		R	
212	00D3	C相电压31次谐波含量 Phase C voltage with 31-order harmonic content		R	
213	00D4	A相电流2次谐波含量 Phase A current with 2-order harmonic content		R	
214	00D5	A相电流3次谐波含量 Phase A current with 3-order harmonic content		R	
215	00D6	A相电流4次谐波含量 Phase A current with 4-order harmonic content		R	
216	00D7	A相电流5次谐波含量 Phase A current with 5-order harmonic content		R	
217	00D8	A相电流6次谐波含量 Phase A current with 6-order harmonic content		R	
218	00D9	A相电流7次谐波含量 Phase A current with 7-order harmonic content		R	
219	00DA	A相电流8次谐波含量 Phase A current with 8-order harmonic content		R	
220	00DB	A相电流9次谐波含量 Phase A current with 9-order harmonic content		R	
221	00DC	A相电流10次谐波含量 Phase A current with 10-order harmonic content		R	
222	00DD	A相电流11次谐波含量 Phase A current with 11-order harmonic content		R	
223	00DE	A相电流12次谐波含量 Phase A current with 12-order harmonic content		R	
224	00DF	A相电流13次谐波含量 Phase A current with 13-order harmonic content		R	
225	00E0	A相电流14次谐波含量 Phase A current with 14-order harmonic content		R	
226	00E1	A相电流15次谐波含量 Phase A current with 15-order harmonic content		R	
227	00E2	A相电流16次谐波含量 Phase A current with 16-order harmonic content		R	
228	00E3	A相电流17次谐波含量 Phase A current with 17-order harmonic content		R	

229	00E4	A相电流18次谐波含量 Phase A current with 18-order harmonic content	R	
230	00E5	A相电流19次谐波含量 Phase A current with 19-order harmonic content	R	
231	00E6	A相电流20次谐波含量 Phase A current with 20-order harmonic content	R	
232	00E7	A相电流21次谐波含量 Phase A current with 21-order harmonic content	R	
233	00E8	A相电流22次谐波含量 Phase A current with 22-order harmonic content	R	
234	00E9	A相电流23次谐波含量 Phase A current with 23-order harmonic content	R	
235	00EA	A相电流24次谐波含量 Phase A current with 24-order harmonic content	R	
236	00EB	A相电流25次谐波含量 Phase A current with 25-order harmonic content	R	
237	00EC	A相电流26次谐波含量 Phase A current with 26-order harmonic content	R	
238	00ED	A相电流27次谐波含量 Phase A current with 27-order harmonic content	R	
239	00EE	A相电流28次谐波含量 Phase A current with 28-order harmonic content	R	
240	00EF	A相电流29次谐波含量 Phase A current with 29-order harmonic content	R	
241	00F0	A相电流30次谐波含量 Phase A current with 30-order harmonic content	R	
242	00F1	A相电流31次谐波含量 Phase A current with 31-order harmonic content	R	
243	00F2	B相电流2次谐波含量 Phase B current with 2-order harmonic content	R	
244	00F3	B相电流3次谐波含量 Phase B current with 3-order harmonic content	R	
245	00F4	B相电流4次谐波含量 Phase B current with 4-order harmonic content	R	
246	00F5	B相电流5次谐波含量 Phase B current with 5-order harmonic content	R	
247	00F6	B相电流6次谐波含量 Phase B current with 6-order harmonic content	R	
248	00F7	B相电流7次谐波含量 Phase B current with 7-order harmonic content	R	
249	00F8	B相电流8次谐波含量 Phase B current with 8-order harmonic content	R	
250	00F9	B相电流9次谐波含量 Phase B current with 9-order harmonic content	R	
251	00FA	B相电流10次谐波含量 Phase B current with	R	

		10-order harmonic content			
252	00FB	B相电流 11次谐波含量 Phase B current with 11-order harmonic content		R	
253	00FC	B相电流 12次谐波含量 Phase B current with 12-order harmonic content		R	
254	00FD	B相电流 13次谐波含量 Phase B current with 13-order harmonic content		R	
255	00FE	B相电流 14次谐波含量 Phase B current with 14-order harmonic content		R	
256	00FF	B相电流 15次谐波含量 Phase B current with 15-order harmonic content		R	
257	0100	B相电流 16次谐波含量 Phase B current with 16-order harmonic content		R	
258	0101	B相电流 17次谐波含量 Phase B current with 17-order harmonic content		R	
259	0102	B相电流 18次谐波含量 Phase B current with 18-order harmonic content		R	
260	0103	B相电流 19次谐波含量 Phase B current with 19-order harmonic content		R	
261	0104	B相电流 20次谐波含量 Phase B current with 20-order harmonic content		R	
262	0105	B相电流 21次谐波含量 Phase B current with 21-order harmonic content		R	
263	0106	B相电流 22次谐波含量 Phase B current with 22-order harmonic content		R	
264	0107	B相电流 23次谐波含量 Phase B current with 23-order harmonic content		R	
265	0108	B相电流 24次谐波含量 Phase B current with 24-order harmonic content		R	
266	0109	B相电流 25次谐波含量 Phase B current with 25-order harmonic content		R	
267	010A	B相电流 26次谐波含量 Phase B current with 26-order harmonic content		R	
268	010B	B相电流 27次谐波含量 Phase B current with 27-order harmonic content		R	
269	010C	B相电流 28次谐波含量 Phase B current with 28-order harmonic content		R	
270	010D	B相电流 29次谐波含量 Phase B current with 29-order harmonic content		R	
271	010E	B相电流 30次谐波含量 Phase B current with 30-order harmonic content		R	
272	010F	B相电流 31次谐波含量 Phase B current with 31-order harmonic content		R	
273	0110	C相电流 2次谐波含量 Phase C current with 2-order harmonic content		R	

274	0111	C相电流3次谐波含量 Phase C current with 3-order harmonic content		R	
275	0112	C相电流4次谐波含量 Phase C current with 4-order harmonic content		R	
276	0113	C相电流5次谐波含量 Phase C current with 5-order harmonic content		R	
277	0114	C相电流6次谐波含量 Phase C current with 6-order harmonic content		R	
278	0115	C相电流7次谐波含量 Phase C current with 7-order harmonic content		R	
279	0116	C相电流8次谐波含量 Phase C current with 8-order harmonic content		R	
280	0117	C相电流9次谐波含量 Phase C current with 9-order harmonic content		R	
281	0118	C相电流10次谐波含量 Phase C current with 10-order harmonic content		R	
282	0119	C相电流11次谐波含量 Phase C current with 11-order harmonic content		R	
283	011A	C相电流12次谐波含量 Phase C current with 12-order harmonic content		R	
284	011B	C相电流13次谐波含量 Phase C current with 13-order harmonic content		R	
285	011C	C相电流14次谐波含量 Phase C current with 14-order harmonic content		R	
286	011D	C相电流15次谐波含量 Phase C current with 15-order harmonic content		R	
287	011E	C相电流16次谐波含量 Phase C current with 16-order harmonic content		R	
288	011F	C相电流17次谐波含量 Phase C current with 17-order harmonic content		R	
289	0120	C相电流18次谐波含量 Phase C current with 18-order harmonic content		R	
290	0121	C相电流19次谐波含量 Phase C current with 19-order harmonic content		R	
291	0122	C相电流20次谐波含量 Phase C current with 20-order harmonic content		R	
292	0123	C相电流21次谐波含量 Phase C current with 21-order harmonic content		R	
293	0124	C相电流22次谐波含量 Phase C current with 22-order harmonic content		R	
294	0125	C相电流23次谐波含量 Phase C current with 23-order harmonic content		R	
295	0126	C相电流24次谐波含量 Phase C current with 24-order harmonic content		R	
296	0127	C相电流25次谐波含量 Phase C current with		R	

		25-order harmonic content				
297	0128	C相电流 26次谐波含量 Phase C current with 26-order harmonic content		R		
298	0129	C相电流 27次谐波含量 Phase C current with 27-order harmonic content		R		
299	012A	C相电流 28次谐波含量 Phase C current with 28-order harmonic content		R		
300	012B	C相电流 29次谐波含量 Phase C current with 29-order harmonic content		R		
301	012C	C相电流 30次谐波含量 Phase C current with 30-order harmonic content		R		
302	012D	C相电流 31次谐波含量 Phase C current with 31-order harmonic content		R		
303	012E	A相基波电压 Phase A Base wave voltage		R		无符号整型, Unsigned type 保留 1 位小数 Keep 1 bit decimal 如数值 U=2201, 则电压: 2201*0.1=220.1V
304	012F	B相基波电压 Phase B Base wave voltage		R		
305	0130	C相基波电压 Phase C Base wave voltage		R		
306	0131	A相谐波电压 Phase A harmonic voltage		R		
307	0132	B相谐波电压 Phase B harmonic voltage		R		
308	0133	C相谐波电压 Phase C harmonic voltage		R		
309	0134	A相基波电流 Phase A Base wave current		R		无符号整型, Unsigned type 保留 2 位小数 Keep 2 decimal places 如数值 I=201, 则电流: 201*0.01=2.01A
310	0135	B相基波电流 Phase B Base wave current		R		
311	0136	C相基波电流 Phase C Base wave current		R		
312	0137	A相谐波电流 Phase A harmonic current		R		
313	0138	B相谐波电流 Phase B harmonic current		R		
314	0139	C相谐波电流 Phase C harmonic current		R		
315	013A	A相基波有功功率[0] Phase A Base wave active power[0]		R		有符号整型, There is a symbolic type 保留 3 位小数 Keep 3 decimal places 如数值 U=1201, 则功率: 1201*0.001=1.201kW/kVar
316	013B	A相基波有功功率[1] Phase A Base wave active power[1]		R		
317	013C	B相基波有功功率[0] Phase B Base wave active power[0]		R		
318	013D	B相基波有功功率[1] Phase B Base wave active power[1]		R		
319	013E	C相基波有功功率[0] Phase C Base wave active power[0]		R		
320	013F	C相基波有功功率[1] Phase C Base wave active power[1]		R		
321	0140	基波总有功功率[0] Base total wave active power[0]		R		
322	0141	基波总有功功率[1] Base total wave active power[1]		R		
323	0142	A相基波无功功率[0] Phase A Base wave reactive power[0]		R		
324	0143	A相基波无功功率[1] Phase A Base wave reactive power[1]		R		

325	0144	B相基波无功功率[0] Phase B Base wave reactive power[0]		R	
326	0145	B相基波无功功率[1] Phase B Base wave reactive power[1]		R	
327	0146	C相基波无功功率[0] Phase C Base wave reactive power[0]		R	
328	0147	C相基波无功功率[1] Phase C Base wave reactive power[1]		R	
329	0148	基波总无功功率[0] Base wave total reactive power[0]		R	
330	0149	基波总无功功率[1] Base wave total reactive power[1]		R	
331	014A	A相谐波有功功率[0] Phase A harmonic wave active power[0]		R	
332	014B	A相谐波有功功率[1] Phase A harmonic wave active power[1]		R	
333	014C	B相谐波有功功率[0] Phase B harmonic wave active power[0]		R	
334	014D	B相谐波有功功率[1] Phase B harmonic wave active power[1]		R	
335	014E	C相谐波有功功率[0] Phase C harmonic wave active power[0]		R	
336	014F	C相谐波有功功率[1] Phase C harmonic wave active power[1]		R	
337	0150	谐波总有功功率[0] Harmonic total active power[0]		R	
338	0151	谐波总有功功率[1] Harmonic total active power[1]		R	
339	0152	A相谐波无功功率[0] Phase A harmonic wave reactive power[0]		R	
340	0153	A相谐波无功功率[1] Phase A harmonic wave reactive power[1]		R	
341	0154	B相谐波无功功率[0] Phase B harmonic wave reactive power[0]		R	
342	0155	B相谐波无功功率[1] Phase B harmonic wave reactive power[1]		R	
343	0156	C相谐波无功功率[0] Phase C harmonic wave reactive power[0]		R	
344	0157	C相谐波无功功率[1] Phase C harmonic wave reactive power[1]		R	
345	0158	谐波总无功功率[0] Harmonic total reactive power[0]		R	
346	0159	谐波总无功功率[1] Harmonic total reactive power[1]		R	
347	015A	当前正向有功实时需量[0]		R	无符号整型, Unsigned type

		Current forward active real-time demand[0]				保留3位小数 Keep 3 decimal places
348	015B	当前正向有功实时需量[1] Current forward active real-time demand[1]		R		
349	015C	当前反向有功实时需量[0] Current reverse active real-time demand[0]		R		
350	015D	当前反向有功实时需量[1] Current reverse active real-time demand[1]		R		
351	015E	当前正向无功实时需量[0] Current forward reactive real-time demand[0]		R		
352	015F	当前正向无功实时需量[1] Current forward reactive real-time demand[1]		R		
353	0160	当前反向无功实时需量[0] Current reverse reactive real-time demand[0]		R		
354	0161	当前反向无功实时需量[1] Current reverse reactive real-time demand[1]		R		
355	0162	电压不平衡度 Voltage imbalance		R		无符号整型, Unsigned type
356	0163	电流不平衡度 Current imbalance		R		保留2位小数 Keep 2 decimal places 如数值 U=1201, 则谐波含量: 1201*0.01=12.01%
357 ~ 407	0164 ~ 0196			R		预留 obligate
408	0197	当前总有功尖电能[0]current total active sharp electric energy[0]		R		
409	0198	当前总有功尖电能[1]current total active sharp electric energy[1]		R		
410	0199	当前总有功峰电能[0]current total active Peak electric energy[0]		R		
411	019A	当前总有功峰电能[1]current total active peak electric energy[1]		R		
412	019B	当前总有功平电能[0]current total active Flat electric energy[0]		R		无符号整型, Unsigned type
413	019C	当前总有功平电能[1]current total active flat electric energy[1]		R		保留2位小数 Keep 2 decimal places
414	019D	当前总有功谷电能[0]current total active Valley electric energy[0]		R		
415	019E	当前总有功谷电能[1]current total active Valley electric energy[1]		R		
416	019F	当前正向有功尖电能[0]Current forward active sharp electric energy[0]		R		
417	01A0	当前正向有功尖电能[1]Current forward active sharp electric energy[1]		R		
418	01A1	当前正向有功峰电能[0]current forward active peak electric energy[0]		R		

419	01A2	当前正向有功峰电能[1]current forward active peak electric energy[1]		R	
420	01A3	当前正向有功平电能[0]current forward active flat electric energy[0]		R	
421	01A4	当前正向有功平电能[1]current forward active flat electric energy[0]		R	
422	01A5	当前正向有功谷电能[0]current forward active Valley electric energy[0]		R	
423	01A6	当前正向有功谷电能[1]current forward active Valley electric energy[1]		R	
424	01A7	当前反向有功尖电能[0]current reverse active sharp electric energy[0]		R	
425	01A8	当前反向有功尖电能[1]current reverse active sharp electric energy[1]		R	
426	01A9	当前反向有功峰电能[0]current reverse active peak electric energy[0]		R	
427	01AA	当前反向有功峰电能[1]current reverse active peak electric energy[1]		R	
428	01AB	当前反向有功平电能[0]current reverse active flat electric energy[0]		R	
429	01AC	当前反向有功平电能[1]current reverse active flat electric energy[1]		R	
430	01AD	当前反向有功谷电能[0]current reverse active valley electric energy[0]		R	
431	01AE	当前反向有功谷电能[1]current reverse active valley electric energy[1]		R	
432	01AF	当前正向无功尖电能[0]current forward reactive sharp electric energy[0]		R	
433	01B0	当前正向无功尖电能[1]current forward reactive sharp electric energy[1]		R	
434	01B1	当前正向无功峰电能[0]current forward reactive peak electric energy[0]		R	
435	01B2	当前正向无功峰电能[1]current forward reactive peak electric energy[1]		R	
436	01B3	当前正向无功平电能[0]current forward reactive flat electric energy[0]		R	
437	01B4	当前正向无功平电能[1]current forward reactive flat electric energy[1]		R	
438	01B5	当前正向无功谷电能[0]current forward reactive valley electric energy[0]		R	
439	01B6	当前正向无功谷电能[1]current forward reactive valley electric energy[0]		R	
440	01B7	当前反向无功尖电能[0]current reverse reactive sharp electric energy[0]		R	
441	01B8	当前反向无功尖电能[1]current reverse reactive sharp electric energy[1]		R	

		sharp electric energy[1]				
442	01B9	当前反向无功峰电能[0]current reverse reactive peak electric energy[0]		R		
443	01BA	当前反向无功峰电能[1]current reverse reactive peak electric energy[1]		R		
444	01BB	当前反向无功平电能[0]current reverse reactive flat electric energy[0]		R		
445	01BC	当前反向无功平电能[1]current reverse reactive flat electric energy[1]		R		
446	01BD	当前反向无功谷电能[0]current reverse reactive valley electric energy[0]		R		
447	01BE	当前反向无功谷电能[1]current reverse reactive valley electric energy[1]		R		
第二回路数据 Second loop data: 01BF~0369						
448	01BF	A相电压 A phase voltage		R		整型 int 保留 1 位小数 Keep 1 bit decimal
449	01C0	B相电压 B phase voltage		R		
450	01C1	C相电压 C phase voltage		R		
451	01C2	AC线电压 AC line voltage		R		
452	01C3	BC线电压 BC line voltage		R		
453	01C4	CA线电压 CA line voltage		R		
454	01C5	A相电流 A phase current		R		整型 int 保留 2 位小数 Keep 2 decimal places
455	01C6	B相电流 B phase current		R		
456	01C7	C相电流 C phase current		R		
457	01C8	三相电流矢量和 The three-phase current vector and		R		
458	01C9	A相有功功率[0] Phase A active power is [0]		R		整型 int 保留 3 位小数 Keep 3 decimal places
459	01CA	A相有功功率[1] Phase A has an active power of [1]		R		
460	01CB	B相有功功率[0] Phase B active power is [0]		R		
461	01CC	B相有功功率[1] Phase B has an active power of [1]		R		
462	01CD	C相有功功率[0] Phase C active power is [0]		R		
463	01CE	C相有功功率[1] Phase C active power is [1]		R		
464	01CF	总有功功率[0] Total active power: [0]		R		
465	01D0	总有功功率[1] Total active power: [1]		R		
466	01D1	A相无功功率[0] Phase A has a reactive power of [0]		R		
467	01D2	A相无功功率[1] Phase A has a reactive power of [1]		R		

468	01D3	B相无功功率[0] Phase B with a reactive power of [0]		R	
469	01D4	B相无功功率[1] Phase B with a reactive power of [1]		R	
470	01D5	C相无功功率[0] C-phase reactive power of [0]		R	
471	01D6	C相无功功率[1] C-phase reactive power of [1]		R	
472	01D7	总无功功率[0] Total reactive power: [0]		R	
473	01D8	总无功功率[1] Total reactive power: [1]		R	
474	01D9	A相视在功率[0] A Phase Vision at power [0]		R	
475	01DA	A相视在功率[1] A Phase Vision at power [1]		R	
476	01DB	B相视在功率[0] B Phase Vision at power [0]		R	
477	01DC	B相视在功率[1] B Phase Vision at power [1]		R	
478	01DD	C相视在功率[0] C Phase Vision at power [0]		R	
479	01DE	C相视在功率[1] C Phase Vision at power [1]		R	
480	01DF	总视在功率[0] Total visual power [0]		R	
481	01E0	总视在功率[1] Total visual power [1]		R	
482	01E1	A相功率因数 Phase A power factor		R	
483	01E2	B相功率因数 Phase B power factor		R	
484	01E3	C相功率因数 Phase C power factor		R	
485	01E4	总功率因数 Total power factor		R	
486	01E5	功率方向 Power direction		R	
487	01E6	频率 frequency		R	
488	01E7	当前总有功电能[0] Current Total active electric energy[0]		R	整型 int 保留 2 位小数 Keep 2 decimal places
489	01E8	当前总有功电能[1] Current Total active electric energyr[1]		R	
490	01E9	当前正向总有功电能[0] Current Forward Total active electric energy[0]		R	

491	01EA	当前正向总有功电能[1] Current Forward Total active electric energy[1]		R	
492	01EB	当前反向总有功电能[0] Current Reverse Total active electric energy[0]		R	
493	01EC	当前反向总有功电能[1] Current Reverse Total active electric energy[1]		R	
494	01ED	当前正向总无功电能[0] Current Forward Total reactive electric energy[0]		R	
495	01EE	当前正向总无功电能[1] Current Forward Total reactive electric energy[1]		R	
496	01EF	当前反向总无功电能[0] Current Reverse Total reactive electric energy[0]		R	
497	01F0	当前反向总无功电能[1] Current Reverse Total reactive electric energy[1]		R	
498	01F1	当前 A 相有功电能[0] Current Phase A active electric energy[0]		R	
499	01F2	当前 A 相有功电能[1] Current Phase A active electric energy[1]		R	
500	01F3	当前 A 相正向有功电能[0] Current Phase A Forward active electric energy[0]		R	
501	01F4	当前 A 相正向有功电能[1] Current Phase A Forward active electric energy[1]		R	
502	01F5	当前 A 相反向有功电能[0] Current Phase A Reverse active electric energy[0]		R	
503	01F6	当前 A 相反向有功电能[1] Current Phase A Reverse active electric energy[1]		R	
504	01F7	当前 A 相正向无功电能[0] Current Phase A Forward reactive electric energy[0]		R	
505	01F8	当前 A 相正向无功电能[1] Current Phase A Forward reactive electric energy[1]		R	
506	01F9	当前 A 相反向无功电能[0] Current Phase A Reverse reactive electric energy[0]		R	
507	01FA	当前 A 相反向无功电能[1] Current Phase A Reverse reactive electric energy[1]		R	

		energy[1]			
508	01FB	当前 B 相有功电能[0] Current Phase B active electric energy[0]		R	
509	01FC	当前 B 相有功电能[1] Current Phase B active electric energy[1]		R	
510	01FD	当前 B 相正向有功电能[0] Current Phase B Forward active electric energy[0]		R	
511	01FE	当前 B 相正向有功电能[1] Current Phase B Forward active electric energy[1]		R	
512	01FF	当前 B 相反向有功电能[0] Current Phase B Reverse active electric energy[0]		R	
513	0200	当前 B 相反向有功电能[1] Current Phase B Reverse active electric energy[1]		R	
514	0201	当前 B 相正向无功电能[0] Current Phase B Forward reactive electric energy[0]		R	
515	0202	当前 B 相正向无功电能[1] Current Phase B Forward reactive electric energy[1]		R	
516	0203	当前 B 相反向无功电能[0] Current Phase B Reverse reactive electric energy[0]		R	
517	0204	当前 B 相反向无功电能[1] Current Phase B Reverse reactive electric energy[1]		R	
518	0205	当前 C 相有功电能[0] Current Phase C active electric energy[0]		R	
519	0206	当前 C 相有功电能[1] Current Phase C active electric energy[1]		R	
520	0207	当前 C 相正向有功电能[0] Current Phase C Forward active electric energy[0]		R	
521	0208	当前 C 相正向有功电能[1] Current Phase C Forward active electric energy[1]		R	
522	0209	当前 C 相反向有功电能[0] Current Phase C Reverse active electric energy[0]		R	
523	020A	当前 C 相反向有功电能[1] Current Phase C Reverse active electric energy[1]		R	

524	020B	当前 C 相正向无功电能[0] Current Phase C Forward reactive electric energy[0]		R	
525	020C	当前 C 相正向无功电能[1] Current Phase C Forward reactive electric energy[1]		R	
526	020D	当前 C 相反向无功电能[0] Current Phase B Reverse reactive electric energy[0]		R	
527	020E	当前 C 相反向无功电能[1] Current Phase C Reverse reactive electric energy[1]		R	
528	020F	正向有功最大需量[0] forward active maximum demand [0]		R	
529	0210	正向有功最大需量[1] forward active maximum demand [1]		R	
530	0211	发生时间：分、时 Occurrence time: point, time		R	
531	0212	发生时间：日、月 Time of occurrence: day and month		R	
532	0213	反向有功最大需量[0] Reverse active maximum demand [0]		R	
533	0214	反向有功最大需量[1] Reverse active maximum demand [1]		R	
534	0215	发生时间：分、时 Occurrence time: point, time		R	
535	0216	发生时间：日、月 Time of occurrence: day and month		R	
536	0217	正向无功最大需量[0] forward reactive maximum demand [0]		R	
537	0218	正向无功最大需量[1] forward reactive maximum demand [1]		R	
538	0219	发生时间：分、时 Occurrence time: point, time		R	
539	021A	发生时间：日、月 Time of occurrence: day and month		R	
540	021B	反向无功最大需量[0] Reverse reactive maximum demand [0]		R	
541	021C	反向无功最大需量[1] Reverse reactive maximum demand [1]		R	
542	021D	发生时间：分、时 Occurrence time: point, time		R	
543	021E	发生时间：日、月 Time of occurrence: day and month		R	
544	021F	A 相电压总畸变		R	整型 int

		phase A voltage Total distortion				0.01%
545	0220	B 相电压总畸变 phase B voltage Total distortion		R		
546	0221	C 相电压总畸变 phase C voltage Total distortion		R		
547	0222	A 相电流总畸变 phase A current Total distortion		R		
548	0223	B 相电流总畸变 phase B current Total distortion		R		
549	0224	C 相电流总畸变 phase C current Total distortion		R		
550	0225	A 相电压 2 次谐波含量 Phase A voltage with 2-order harmonic content		R		
551	0226	A 相电压 3 次谐波含量 Phase A voltage with 3-order harmonic content		R		
552	0227	A 相电压 4 次谐波含量 Phase A voltage with 4-order harmonic content		R		
553	0228	A 相电压 5 次谐波含量 Phase A voltage with 5-order harmonic content		R		
554	0229	A 相电压 6 次谐波含量 Phase A voltage with 6-order harmonic content		R		
555	022A	A 相电压 7 次谐波含量 Phase A voltage with 7-order harmonic content		R		
556	022B	A 相电压 8 次谐波含量 Phase A voltage with 8-order harmonic content		R		
557	022C	A 相电压 9 次谐波含量 Phase A voltage with 9-order harmonic content		R		
558	022D	A 相电压 10 次谐波含量 Phase A voltage with 10-order harmonic content		R		整型 int 0.01%
559	022E	A 相电压 11 次谐波含量 Phase A voltage with 11-order harmonic content		R		
560	022F	A 相电压 12 次谐波含量 Phase A voltage with 12-order harmonic content		R		
561	0230	A 相电压 13 次谐波含量 Phase A voltage with 13-order harmonic content		R		
562	0231	A 相电压 14 次谐波含量 Phase A voltage with 14-order harmonic content		R		
563	0232	A 相电压 15 次谐波含量 Phase A voltage with 15-order harmonic content		R		
564	0233	A 相电压 16 次谐波含量 Phase A voltage with 16-order harmonic content		R		
565	0234	A 相电压 17 次谐波含量 Phase A voltage with 17-order harmonic content		R		
566	0235	A 相电压 18 次谐波含量 Phase A voltage with 18-order harmonic content		R		

567	0236	A 相电压 19 次谐波含量 Phase A voltage with 19-order harmonic content		R	
568	0237	A 相电压 20 次谐波含量 Phase A voltage with 20-order harmonic content		R	
569	0238	A 相电压 21 次谐波含量 Phase A voltage with 21-order harmonic content		R	
570	0239	A 相电压 22 次谐波含量 Phase A voltage with 22-order harmonic content		R	
571	023A	A 相电压 23 次谐波含量 Phase A voltage with 23-order harmonic content		R	
572	023B	A 相电压 24 次谐波含量 Phase A voltage with 24-order harmonic content		R	
573	023C	A 相电压 25 次谐波含量 Phase A voltage with 25-order harmonic content		R	
574	023D	A 相电压 26 次谐波含量 Phase A voltage with 26-order harmonic content		R	
575	023E	A 相电压 27 次谐波含量 Phase A voltage with 27-order harmonic content		R	
576	023F	A 相电压 28 次谐波含量 Phase A voltage with 28-order harmonic content		R	
577	0240	A 相电压 29 次谐波含量 Phase A voltage with 29-order harmonic content		R	
578	0241	A 相电压 30 次谐波含量 Phase A voltage with 30-order harmonic content		R	
579	0242	A 相电压 31 次谐波含量 Phase A voltage with 31-order harmonic content		R	
580	0243	B 相电压 2 次谐波含量 Phase B voltage with 2-order harmonic content		R	
581	0244	B 相电压 3 次谐波含量 Phase B voltage with 3-order harmonic content		R	
582	0245	B 相电压 4 次谐波含量 Phase B voltage with 4-order harmonic content		R	
583	0246	B 相电压 5 次谐波含量 Phase B voltage with 5-order harmonic content		R	
584	0247	B 相电压 6 次谐波含量 Phase B voltage with 6-order harmonic content		R	
585	0248	B 相电压 7 次谐波含量 Phase B voltage with 7-order harmonic content		R	
586	0249	B 相电压 8 次谐波含量 Phase B voltage with 8-order harmonic content		R	
587	024A	B 相电压 9 次谐波含量 Phase B voltage with 9-order harmonic content		R	
588	024B	B 相电压 10 次谐波含量 Phase B voltage with 10-order harmonic content		R	
589	024C	B 相电压 11 次谐波含量 Phase B voltage with		R	

		11-order harmonic content			
590	024D	B相电压12次谐波含量 Phase B voltage with 12-order harmonic content		R	
591	024E	B相电压13次谐波含量 Phase B voltage with 13-order harmonic content		R	
592	024F	B相电压14次谐波含量 Phase B voltage with 14-order harmonic content		R	
593	0250	B相电压15次谐波含量 Phase B voltage with 15-order harmonic content		R	
594	0251	B相电压16次谐波含量 Phase B voltage with 16-order harmonic content		R	
595	0252	B相电压17次谐波含量 Phase B voltage with 17-order harmonic content		R	
596	0253	B相电压18次谐波含量 Phase B voltage with 18-order harmonic content		R	
597	0254	B相电压19次谐波含量 Phase B voltage with 19-order harmonic content		R	
598	0255	B相电压20次谐波含量 Phase B voltage with 20-order harmonic content		R	
599	0256	B相电压21次谐波含量 Phase B voltage with 21-order harmonic content		R	
600	0257	B相电压22次谐波含量 Phase B voltage with 22-order harmonic content		R	
601	0258	B相电压23次谐波含量 Phase B voltage with 23-order harmonic content		R	
602	0259	B相电压24次谐波含量 Phase B voltage with 24-order harmonic content		R	
603	025A	B相电压25次谐波含量 Phase B voltage with 25-order harmonic content		R	
604	025B	B相电压26次谐波含量 Phase B voltage with 26-order harmonic content		R	
605	025C	B相电压27次谐波含量 Phase B voltage with 27-order harmonic content		R	
606	025D	B相电压28次谐波含量 Phase B voltage with 28-order harmonic content		R	
607	025E	B相电压29次谐波含量 Phase B voltage with 29-order harmonic content		R	
608	025F	B相电压30次谐波含量 Phase B voltage with 30-order harmonic content		R	
609	0260	B相电压31次谐波含量 Phase B voltage with 31-order harmonic content		R	
610	0261	C相电压2次谐波含量 Phase C voltage with 2-order harmonic content		R	
611	0262	C相电压3次谐波含量 Phase C voltage with 3-order harmonic content		R	

612	0263	C相电压4次谐波含量 Phase C voltage with 4-order harmonic content		R	
613	0264	C相电压5次谐波含量 Phase C voltage with 5-order harmonic content		R	
614	0265	C相电压6次谐波含量 Phase C voltage with 6-order harmonic content		R	
615	0266	C相电压7次谐波含量 Phase C voltage with 7-order harmonic content		R	
616	0267	C相电压8次谐波含量 Phase C voltage with 8-order harmonic content		R	
617	0268	C相电压9次谐波含量 Phase C voltage with 9-order harmonic content		R	
618	0269	C相电压10次谐波含量 Phase C voltage with 10-order harmonic content		R	
619	026A	C相电压11次谐波含量 Phase C voltage with 11-order harmonic content		R	
620	026B	C相电压12次谐波含量 Phase C voltage with 12-order harmonic content		R	
621	026C	C相电压13次谐波含量 Phase C voltage with 13-order harmonic content		R	
622	026D	C相电压14次谐波含量 Phase C voltage with 14-order harmonic content		R	
623	026E	C相电压15次谐波含量 Phase C voltage with 15-order harmonic content		R	
624	026F	C相电压16次谐波含量 Phase C voltage with 16-order harmonic content		R	
625	0270	C相电压17次谐波含量 Phase C voltage with 17-order harmonic content		R	
626	0271	C相电压18次谐波含量 Phase C voltage with 18-order harmonic content		R	
627	0272	C相电压19次谐波含量 Phase C voltage with 19-order harmonic content		R	
628	0273	C相电压20次谐波含量 Phase C voltage with 20-order harmonic content		R	
629	0274	C相电压21次谐波含量 Phase C voltage with 21-order harmonic content		R	
630	0275	C相电压22次谐波含量 Phase C voltage with 22-order harmonic content		R	
631	0276	C相电压23次谐波含量 Phase C voltage with 23-order harmonic content		R	
632	0277	C相电压24次谐波含量 Phase C voltage with 24-order harmonic content		R	
633	0278	C相电压25次谐波含量 Phase C voltage with 25-order harmonic content		R	
634	0279	C相电压26次谐波含量 Phase C voltage with		R	

		26-order harmonic content			
635	027A	C 相电压 27 次谐波含量 Phase C voltage with 27-order harmonic content		R	
636	027B	C 相电压 28 次谐波含量 Phase C voltage with 28-order harmonic content		R	
637	027C	C 相电压 29 次谐波含量 Phase C voltage with 29-order harmonic content		R	
638	027D	C 相电压 30 次谐波含量 Phase C voltage with 30-order harmonic content		R	
639	027E	C 相电压 31 次谐波含量 Phase C voltage with 31-order harmonic content		R	
640	027F	A 相电流 2 次谐波含量 Phase A current with 2-order harmonic content		R	
641	0280	A 相电流 3 次谐波含量 Phase A current with 3-order harmonic content		R	
642	0281	A 相电流 4 次谐波含量 Phase A current with 4-order harmonic content		R	
643	0282	A 相电流 5 次谐波含量 Phase A current with 5-order harmonic content		R	
644	0283	A 相电流 6 次谐波含量 Phase A current with 6-order harmonic content		R	
645	0284	A 相电流 7 次谐波含量 Phase A current with 7-order harmonic content		R	
646	0285	A 相电流 8 次谐波含量 Phase A current with 8-order harmonic content		R	
647	0286	A 相电流 9 次谐波含量 Phase A current with 9-order harmonic content		R	
648	0287	A 相电流 10 次谐波含量 Phase A current with 10-order harmonic content		R	
649	0288	A 相电流 11 次谐波含量 Phase A current with 11-order harmonic content		R	
650	0289	A 相电流 12 次谐波含量 Phase A current with 12-order harmonic content		R	
651	028A	A 相电流 13 次谐波含量 Phase A current with 13-order harmonic content		R	
652	028B	A 相电流 14 次谐波含量 Phase A current with 14-order harmonic content		R	
653	028C	A 相电流 15 次谐波含量 Phase A current with 15-order harmonic content		R	
654	028D	A 相电流 16 次谐波含量 Phase A current with 16-order harmonic content		R	
655	028E	A 相电流 17 次谐波含量 Phase A current with 17-order harmonic content		R	
656	028F	A 相电流 18 次谐波含量 Phase A current with 18-order harmonic content		R	

657	0290	A相电流19次谐波含量 Phase A current with 19-order harmonic content	R	
658	0291	A相电流20次谐波含量 Phase A current with 20-order harmonic content	R	
659	0292	A相电流21次谐波含量 Phase A current with 21-order harmonic content	R	
660	0293	A相电流22次谐波含量 Phase A current with 22-order harmonic content	R	
661	0294	A相电流23次谐波含量 Phase A current with 23-order harmonic content	R	
662	0295	A相电流24次谐波含量 Phase A current with 24-order harmonic content	R	
663	0296	A相电流25次谐波含量 Phase A current with 25-order harmonic content	R	
664	0297	A相电流26次谐波含量 Phase A current with 26-order harmonic content	R	
665	0298	A相电流27次谐波含量 Phase A current with 27-order harmonic content	R	
666	0299	A相电流28次谐波含量 Phase A current with 28-order harmonic content	R	
667	029A	A相电流29次谐波含量 Phase A current with 29-order harmonic content	R	
668	029B	A相电流30次谐波含量 Phase A current with 30-order harmonic content	R	
669	029C	A相电流31次谐波含量 Phase A current with 31-order harmonic content	R	
670	029D	B相电流2次谐波含量 Phase B current with 2-order harmonic content	R	
671	029E	B相电流3次谐波含量 Phase B current with 3-order harmonic content	R	
672	029F	B相电流4次谐波含量 Phase B current with 4-order harmonic content	R	
673	02A0	B相电流5次谐波含量 Phase B current with 5-order harmonic content	R	
674	02A1	B相电流6次谐波含量 Phase B current with 6-order harmonic content	R	
675	02A2	B相电流7次谐波含量 Phase B current with 7-order harmonic content	R	
676	02A3	B相电流8次谐波含量 Phase B current with 8-order harmonic content	R	
677	02A4	B相电流9次谐波含量 Phase B current with 9-order harmonic content	R	
678	02A5	B相电流10次谐波含量 Phase B current with 10-order harmonic content	R	
679	02A6	B相电流11次谐波含量 Phase B current with	R	

		11-order harmonic content			
680	02A7	B相电流 12次谐波含量 Phase B current with 12-order harmonic content		R	
681	02A8	B相电流 13次谐波含量 Phase B current with 13-order harmonic content		R	
682	02A9	B相电流 14次谐波含量 Phase B current with 14-order harmonic content		R	
683	02AA	B相电流 15次谐波含量 Phase B current with 15-order harmonic content		R	
684	02AB	B相电流 16次谐波含量 Phase B current with 16-order harmonic content		R	
685	02AC	B相电流 17次谐波含量 Phase B current with 17-order harmonic content		R	
686	02AD	B相电流 18次谐波含量 Phase B current with 18-order harmonic content		R	
687	02AE	B相电流 19次谐波含量 Phase B current with 19-order harmonic content		R	
688	02AF	B相电流 20次谐波含量 Phase B current with 20-order harmonic content		R	
689	02B0	B相电流 21次谐波含量 Phase B current with 21-order harmonic content		R	
690	02B1	B相电流 22次谐波含量 Phase B current with 22-order harmonic content		R	
691	02B2	B相电流 23次谐波含量 Phase B current with 23-order harmonic content		R	
692	02B3	B相电流 24次谐波含量 Phase B current with 24-order harmonic content		R	
693	02B4	B相电流 25次谐波含量 Phase B current with 25-order harmonic content		R	
694	02B5	B相电流 26次谐波含量 Phase B current with 26-order harmonic content		R	
695	02B6	B相电流 27次谐波含量 Phase B current with 27-order harmonic content		R	
696	02B7	B相电流 28次谐波含量 Phase B current with 28-order harmonic content		R	
697	02B8	B相电流 29次谐波含量 Phase B current with 29-order harmonic content		R	
698	02B9	B相电流 30次谐波含量 Phase B current with 30-order harmonic content		R	
699	02BA	B相电流 31次谐波含量 Phase B current with 31-order harmonic content		R	
700	02BB	C相电流 2次谐波含量 Phase C current with 2-order harmonic content		R	
701	02BC	C相电流 3次谐波含量 Phase C current with 3-order harmonic content		R	

702	02BD	C相电流4次谐波含量 Phase C current with 4-order harmonic content		R	
703	02BE	C相电流5次谐波含量 Phase C current with 5-order harmonic content		R	
704	02BF	C相电流6次谐波含量 Phase C current with 6-order harmonic content		R	
705	02C0	C相电流7次谐波含量 Phase C current with 7-order harmonic content		R	
706	02C1	C相电流8次谐波含量 Phase C current with 8-order harmonic content		R	
707	02C2	C相电流9次谐波含量 Phase C current with 9-order harmonic content		R	
708	02C3	C相电流10次谐波含量 Phase C current with 10-order harmonic content		R	
709	02C4	C相电流11次谐波含量 Phase C current with 11-order harmonic content		R	
710	02C5	C相电流12次谐波含量 Phase C current with 12-order harmonic content		R	
711	02C6	C相电流13次谐波含量 Phase C current with 13-order harmonic content		R	
712	02C7	C相电流14次谐波含量 Phase C current with 14-order harmonic content		R	
713	02C8	C相电流15次谐波含量 Phase C current with 15-order harmonic content		R	
714	02C9	C相电流16次谐波含量 Phase C current with 16-order harmonic content		R	
715	02CA	C相电流17次谐波含量 Phase C current with 17-order harmonic content		R	
716	02CB	C相电流18次谐波含量 Phase C current with 18-order harmonic content		R	
717	02CC	C相电流19次谐波含量 Phase C current with 19-order harmonic content		R	
718	02CD	C相电流20次谐波含量 Phase C current with 20-order harmonic content		R	
719	02CE	C相电流21次谐波含量 Phase C current with 21-order harmonic content		R	
720	02CF	C相电流22次谐波含量 Phase C current with 22-order harmonic content		R	
721	02D0	C相电流23次谐波含量 Phase C current with 23-order harmonic content		R	
722	02D1	C相电流24次谐波含量 Phase C current with 24-order harmonic content		R	
723	02D2	C相电流25次谐波含量 Phase C current with 25-order harmonic content		R	
724	02D3	C相电流26次谐波含量 Phase C current with		R	

		26-order harmonic content				
725	02D4	C相电流 27次谐波含量 Phase C current with 27-order harmonic content		R		
726	02D5	C相电流 28次谐波含量 Phase C current with 28-order harmonic content		R		
727	02D6	C相电流 29次谐波含量 Phase C current with 29-order harmonic content		R		
728	02D7	C相电流 30次谐波含量 Phase C current with 30-order harmonic content		R		
729	02D8	C相电流 31次谐波含量 Phase C current with 31-order harmonic content		R		
730	02D9	A相基波电压 Phase A Base wave voltage		R		整型 int 0.1
731	02DA	B相基波电压 Phase B Base wave voltage		R		
732	02DB	C相基波电压 Phase C Base wave voltage		R		
733	02DC	A相谐波电压 Phase A harmonic voltage		R		
734	02DD	B相谐波电压 Phase B harmonic voltage		R		
735	02DE	C相谐波电压 Phase C harmonic voltage		R		
736	02DF	A相基波电流 Phase A Base wave current		R		整型 int 0.01
737	02E0	B相基波电流 Phase B Base wave current		R		
738	02E1	C相基波电流 Phase C Base wave current		R		
739	02E2	A相谐波电流 Phase A harmonic current		R		
740	02E3	B相谐波电流 Phase B harmonic current		R		
741	02E4	C相谐波电流 Phase C harmonic current		R		
742	02E5	A相基波有功功率[0] Phase A Base wave active power[0]		R		整型 int 0.001
743	02E6	A相基波有功功率[1] Phase A Base wave active power[1]		R		
744	02E7	B相基波有功功率[0] Phase B Base wave active power[0]		R		
745	02E8	B相基波有功功率[1] Phase B Base wave active power[1]		R		
746	02E9	C相基波有功功率[0] Phase C Base wave active power[0]		R		
747	02EA	C相基波有功功率[1] Phase C Base wave active power[1]		R		
748	02EB	基波总有功功率[0] Base total wave active power[0]		R		
749	02EC	基波总有功功率[1] Base total wave active power[1]		R		
750	02ED	A相基波无功功率[0] Phase A Base wave reactive power[0]		R		
751	02EE	A相基波无功功率[1] Phase A Base wave reactive power[1]		R		
752	02EF	B相基波无功功率[0] Phase B Base wave reactive power[0]		R		

753	02F0	B相基波无功功率[1] Phase B Base wave reactive power[1]		R	
754	02F1	C相基波无功功率[0] Phase C Base wave reactive power[0]		R	
755	02F2	C相基波无功功率[1] Phase C Base wave reactive power[1]		R	
756	02F3	基波总无功功率[0] Base wave total reactive power[0]		R	
757	02F4	基波总无功功率[1] Base wave total reactive power[1]		R	
758	02F5	A相谐波有功功率[0] Phase A harmonic wave active power[0]		R	
759	02F6	A相谐波有功功率[1] Phase A harmonic wave active power[1]		R	
760	02F7	B相谐波有功功率[0] Phase B harmonic wave active power[0]		R	
761	02F8	B相谐波有功功率[1] Phase B harmonic wave active power[1]		R	
762	02F9	C相谐波有功功率[0] Phase C harmonic wave active power[0]		R	
763	02FA	C相谐波有功功率[1] Phase C harmonic wave active power[1]		R	
764	02FB	谐波总有功功率[0] Harmonic total active power[0]		R	
765	02FC	谐波总有功功率[1] Harmonic total active power[1]		R	
766	02FD	A相谐波无功功率[0] Phase A harmonic wave reactive power[0]		R	
767	02FE	A相谐波无功功率[1] Phase A harmonic wave reactive power[1]		R	
768	02FF	B相谐波无功功率[0] Phase B harmonic wave reactive power[0]		R	
769	0300	B相谐波无功功率[1] Phase B harmonic wave reactive power[1]		R	
770	0301	C相谐波无功功率[0] Phase C harmonic wave reactive power[0]		R	
771	0302	C相谐波无功功率[1] Phase C harmonic wave reactive power[1]		R	
772	0303	谐波总无功功率[0] Harmonic total reactive power[0]		R	
773	0304	谐波总无功功率[1] Harmonic total reactive power[1]		R	
774	0305	当前正向有功实时需量[0] Current forward active real-time demand[0]		R	整型 int 0.001
775	0306	当前正向有功实时需量[1]		R	

		Current forward active real-time demand[1]				
776	0307	当前反向有功实时需量[0] Current reverse active real-time demand[0]		R		
777	0308	当前反向有功实时需量[1] Current reverse active real-time demand[1]		R		
778	0309	当前正向无功实时需量[0] Current forward reactive real-time demand[0]		R		
779	030A	当前正向无功实时需量[1] Current forward reactive real-time demand[1]		R		
780	030B	当前反向无功实时需量[0] Current reverse reactive real-time demand[0]		R		
781	030C	当前反向无功实时需量[1] Current reverse reactive real-time demand[1]		R		
782	030D	电压不平衡度 Voltage imbalance		R		整型 int 0.01%
783	030E	电流不平衡度 Current imbalance		R		
784 ~ 834	030F ~ 0341			R		预留 obligate
835	0342	当前总有功尖电能[0]current total active sharp electric energy[0]		R		复费率电能区 Re-rate electric energy area
836	0343	当前总有功尖电能[1]current total active sharp electric energy[1]		R		
837	0344	当前总有功峰电能[0]current total active Peak electric energy[0]		R		
838	0345	当前总有功峰电能[1]current total active peak electric energy[1]		R		
839	0346	当前总有功平电能[0]current total active Flat electric energy[0]		R		
840	0347	当前总有功平电能[1]current total active flat electric energy[1]		R		
841	0348	当前总有功谷电能[0]current total active Valley electric energy[0]		R		
842	0349	当前总有功谷电能[1]current total active Valley electric energy[1]		R		
843	034A	当前正向有功尖电能[0]Current forward active sharp electric energy[0]		R		
844	034B	当前正向有功尖电能[1]Current forward active sharp electric energy[1]		R		
845	034C	当前正向有功峰电能[0]current forward active peak electric energy[0]		R		
846	034D	当前正向有功峰电能[1]current forward active peak electric energy[1]		R		
847	034E	当前正向有功平电能[0]current forward active flat electric energy[0]		R		
848	034F	当前正向有功平电能[1]current forward active		R		

		flat electric energy[0]			
849	0350	当前正向有功谷电能[0]current forward active Valley electric energy[0]	R		
850	0351	当前正向有功谷电能[1]current forward active Valley electric energy[1]	R		
851	0352	当前反向有功尖电能[0]current reverse active sharp electric energy[0]	R		
852	0353	当前反向有功尖电能[1]current reverse active sharp electric energy[1]	R		
853	0354	当前反向有功峰电能[0]current reverse active peak electric energy[0]	R		
854	0355	当前反向有功峰电能[1]current reverse active peak electric energy[1]	R		
855	0356	当前反向有功平电能[0]current reverse active flat electric energy[0]	R		
856	0357	当前反向有功平电能[1]current reverse active flat electric energy[1]	R		
857	0358	当前反向有功谷电能[0]current reverse active valley electric energy[0]	R		
858	0359	当前反向有功谷电能[1]current reverse active valley electric energy[1]	R		
859	035A	当前正向无功尖电能[0]current forward reactive sharp electric energy[0]	R		
860	035B	当前正向无功尖电能[1]current forward reactive sharp electric energy[1]	R		
861	035C	当前正向无功峰电能[0]current forward reactive peak electric energy[0]	R		
862	035D	当前正向无功峰电能[1]current forward reactive peak electric energy[1]	R		
863	035E	当前正向无功平电能[0]current forward reactive flat electric energy[0]	R		
864	035F	当前正向无功平电能[1]current forward reactive flat electric energy[1]	R		
865	0360	当前正向无功谷电能[0]current forward reactive valley electric energy[0]	R		
866	0361	当前正向无功谷电能[1]current forward reactive valley electric energy[0]	R		
867	0362	当前反向无功尖电能[0]current reverse reactive sharp electric energy[0]	R		
868	0363	当前反向无功尖电能[1]current reverse reactive sharp electric energy[1]	R		
869	0364	当前反向无功峰电能[0]current reverse reactive peak electric energy[0]	R		
870	0365	当前反向无功峰电能[1]current reverse reactive peak electric energy[1]	R		

871	0366	当前反向无功平电能[0]current reverse reactive flat electric energy[0]		R		
872	0367	当前反向无功平电能[1]current reverse reactive flat electric energy[1]		R		
873	0368	当前反向无功谷电能[0]current reverse reactive valley electric energy[0]		R		
874	0369	当前反向无功谷电能[1]current reverse reactive valley electric energy[1]		R		
第三回路数据 Third loop data 036A~0514						
875	036A	A相电压 A phase voltage		R		整型 int 保留 1 位小数 Keep 1 bit decimal
876	036B	B相电压 B phase voltage		R		
877	036C	C相电压 C phase voltage		R		
878	036D	AC线电压 AC line voltage		R		
879	036E	BC线电压 BC line voltage		R		
880	036F	CA线电压 CA line voltage		R		
881	0370	A相电流 A phase current		R		整型 int 保留 2 位小数 Keep 2 decimal places
882	0371	B相电流 B phase current		R		
883	0372	C相电流 C phase current		R		
884	0373	三相电流矢量和 The three-phase current vector and		R		
885	0374	A相有功功率[0] Phase A active power is [0]		R		整型 int 保留 3 位小数 Keep 3 decimal places
886	0375	A相有功功率[1] Phase A has an active power of [1]		R		
887	0376	B相有功功率[0] Phase B active power is [0]		R		
888	0377	B相有功功率[1] Phase B has an active power of [1]		R		
889	0378	C相有功功率[0] Phase C active power is [0]		R		
890	0379	C相有功功率[1] Phase C active power is [1]		R		
891	037A	总有功功率[0] Total active power: [0]		R		
892	037B	总有功功率[1] Total active power: [1]		R		
893	037C	A相无功功率[0] Phase A has a reactive power of [0]		R		
894	037D	A相无功功率[1] Phase A has a reactive power of [1]		R		
895	037E	B相无功功率[0] Phase B with a reactive power of [0]		R		
896	037F	B相无功功率[1] Phase B with a reactive power of [1]		R		
897	0380	C相无功功率[0]		R		

		C-phase reactive power of [0]				
898	0381	C相无功功率[1] C-phase reactive power of [1]		R		
899	0382	总无功功率[0] Total reactive power: [0]		R		
900	0383	总无功功率[1] Total reactive power: [1]		R		
901	0384	A相视在功率[0] A Phase Vision at power [0]		R		
902	0385	A相视在功率[1] A Phase Vision at power [1]		R		
903	0386	B相视在功率[0] B Phase Vision at power [0]		R		
904	0387	B相视在功率[1] B Phase Vision at power [1]		R		
905	0388	C相视在功率[0] C Phase Vision at power [0]		R		
906	0389	C相视在功率[1] C Phase Vision at power [1]		R		
907	038A	总视在功率[0] Total visual power [0]		R		
908	038B	总视在功率[1] Total visual power [1]		R		
909	038C	A相功率因数 Phase A power factor		R		
910	038D	B相功率因数 Phase B power factor		R		
911	038E	C相功率因数 Phase C power factor		R		
912	038F	总功率因数 Total power factor		R		
913	0390	功率方向 Power direction		R		
914	0391	频率 frequency		R		
915	0392	当前总有功电能[0] Current Total active electric energy[0]		R		整型 int 保留 2 位小数 Keep 2 decimal places
916	0393	当前总有功电能[1] Current Total active electric energyr[1]		R		
917	0394	当前正向总有功电能[0] Current Forward Total active electric energy[0]		R		
918	0395	当前正向总有功电能[1] Current Forward Total active electric energy[1]		R		
919	0396	当前反向总有功电能[0] Current Reverse Total active electric energy[0]		R		
920	0397	当前反向总有功电能[1]		R		

		Current Reverse Total active electric energy[1]			
921	0398	当前正向总无功电能[0] Current Forward Total reactive electric energy[0]		R	
922	0399	当前正向总无功电能[1] Current Forward Total reactive electric energy[1]		R	
923	039A	当前反向总无功电能[0] Current Reverse Total reactive electric energy[0]		R	
924	039B	当前反向总无功电能[1] Current Reverse Total reactive electric energy[1]		R	
925	039C	当前 A 相有功电能[0] Current Phase A active electric energy[0]		R	
926	039D	当前 A 相有功电能[1] Current Phase A active electric energy[1]		R	
927	039E	当前 A 相正向有功电能[0] Current Phase A Forward active electric energy[0]		R	
928	039F	当前 A 相正向有功电能[1] Current Phase A Forward active electric energy[1]		R	
929	03A0	当前 A 相反向有功电能[0] Current Phase A Reverse active electric energy[0]		R	
930	03A1	当前 A 相反向有功电能[1] Current Phase A Reverse active electric energy[1]		R	
931	03A2	当前 A 相正向无功电能[0] Current Phase A Forward reactive electric energy[0]		R	
932	03A3	当前 A 相正向无功电能[1] Current Phase A Forward reactive electric energy[1]		R	
933	03A4	当前 A 相反向无功电能[0] Current Phase A Reverse reactive electric energy[0]		R	
934	03A5	当前 A 相反向无功电能[1] Current Phase A Reverse reactive electric energy[1]		R	
935	03A6	当前 B 相有功电能[0] Current Phase B active electric energy[0]		R	
936	03A7	当前 B 相有功电能[1] Current Phase B active electric energy[1]		R	

937	03A8	当前 B 相正向有功电能[0] Current Phase B Forward active electric energy[0]		R	
938	03A9	当前 B 相正向有功电能[1] Current Phase B Forward active electric energy[1]		R	
939	03AA	当前 B 相反向有功电能[0] Current Phase B Reverse active electric energy[0]		R	
940	03AB	当前 B 相反向有功电能[1] Current Phase B Reverse active electric energy[1]		R	
941	03AC	当前 B 相正向无功电能[0] Current Phase B Forward reactive electric energy[0]		R	
942	03AD	当前 B 相正向无功电能[1] Current Phase B Forward reactive electric energy[1]		R	
943	03AE	当前 B 相反向无功电能[0] Current Phase B Reverse reactive electric energy[0]		R	
944	03AF	当前 B 相反向无功电能[1] Current Phase B Reverse reactive electric energy[1]		R	
945	03B0	当前 C 相有功电能[0] Current Phase C active electric energy[0]		R	
946	03B1	当前 C 相有功电能[1] Current Phase C active electric energy[1]		R	
947	03B2	当前 C 相正向有功电能[0] Current Phase C Forward active electric energy[0]		R	
948	03B3	当前 C 相正向有功电能[1] Current Phase C Forward active electric energy[1]		R	
949	03B4	当前 C 相反向有功电能[0] Current Phase C Reverse active electric energy[0]		R	
950	03B5	当前 C 相反向有功电能[1] Current Phase C Reverse active electric energy[1]		R	
951	03B6	当前 C 相正向无功电能[0] Current Phase C Forward reactive electric energy[0]		R	
952	03B7	当前 C 相正向无功电能[1] Current Phase C Forward reactive electric		R	

		energy[1]				
953	03B8	当前 C 相反向无功电能[0] Current Phase B Reverse reactive electric energy[0]		R		
954	03B9	当前 C 相反向无功电能[1] Current Phase C Reverse reactive electric energy[1]		R		
955	03BA	正向有功最大需量[0] forward active maximum demand [0]		R		
956	03BB	正向有功最大需量[1] forward active maximum demand [1]		R		
957	03BC	发生时间：分、时 Occurrence time: point, time		R		
958	03BD	发生时间：日、月 Time of occurrence: day and month		R		
959	03BE	反向有功最大需量[0] Reverse active maximum demand [0]		R		
960	03BF	反向有功最大需量[1] Reverse active maximum demand [1]		R		
961	03C0	发生时间：分、时 Occurrence time: point, time		R		
962	03C1	发生时间：日、月 Time of occurrence: day and month		R		
963	03C2	正向无功最大需量[0] forward reactive maximum demand [0]		R		
964	03C3	正向无功最大需量[1] forward reactive maximum demand [1]		R		
965	03C4	发生时间：分、时 Occurrence time: point, time		R		
966	03C5	发生时间：日、月 Time of occurrence: day and month		R		
967	03C6	反向无功最大需量[0] Reverse reactive maximum demand [0]		R		
968	03C7	反向无功最大需量[1] Reverse reactive maximum demand [1]		R		
969	03C8	发生时间：分、时 Occurrence time: point, time		R		
970	03C9	发生时间：日、月 Time of occurrence: day and month		R		
971	03CA	A 相电压总畸变 phase A voltage Total distortion		R		整型 int 0.01%
972	03CB	B 相电压总畸变 phase B voltage Total distortion		R		
973	03CC	C 相电压总畸变 phase C voltage Total distortion		R		

974	03CD	A 相电流总畸变 phase A current Total distortion		R	
975	03CE	B 相电流总畸变 phase B current Total distortion		R	
976	03CF	C 相电流总畸变 phase C current Total distortion		R	
977	03D0	A 相电压 2 次谐波含量 Phase A voltage with 2-order harmonic content		R	
978	03D1	A 相电压 3 次谐波含量 Phase A voltage with 3-order harmonic content		R	
979	03D2	A 相电压 4 次谐波含量 Phase A voltage with 4-order harmonic content		R	
980	03D3	A 相电压 5 次谐波含量 Phase A voltage with 5-order harmonic content		R	
981	03D4	A 相电压 6 次谐波含量 Phase A voltage with 6-order harmonic content		R	
982	03D5	A 相电压 7 次谐波含量 Phase A voltage with 7-order harmonic content		R	
983	03D6	A 相电压 8 次谐波含量 Phase A voltage with 8-order harmonic content		R	
984	03D7	A 相电压 9 次谐波含量 Phase A voltage with 9-order harmonic content		R	
985	03D8	A 相电压 10 次谐波含量 Phase A voltage with 10-order harmonic content		R	
986	03D9	A 相电压 11 次谐波含量 Phase A voltage with 11-order harmonic content		R	
987	03DA	A 相电压 12 次谐波含量 Phase A voltage with 12-order harmonic content		R	
988	03DB	A 相电压 13 次谐波含量 Phase A voltage with 13-order harmonic content		R	
989	03DC	A 相电压 14 次谐波含量 Phase A voltage with 14-order harmonic content		R	
990	03DD	A 相电压 15 次谐波含量 Phase A voltage with 15-order harmonic content		R	
991	03DE	A 相电压 16 次谐波含量 Phase A voltage with 16-order harmonic content		R	
992	03DF	A 相电压 17 次谐波含量 Phase A voltage with 17-order harmonic content		R	
993	03E0	A 相电压 18 次谐波含量 Phase A voltage with 18-order harmonic content		R	
994	03E1	A 相电压 19 次谐波含量 Phase A voltage with 19-order harmonic content		R	
995	03E2	A 相电压 20 次谐波含量 Phase A voltage with 20-order harmonic content		R	
996	03E3	A 相电压 21 次谐波含量 Phase A voltage with 21-order harmonic content		R	

整型 int
0.01%

		21-order harmonic content			
997	03E4	A 相电压 22 次谐波含量 Phase A voltage with 22-order harmonic content		R	
998	03E5	A 相电压 23 次谐波含量 Phase A voltage with 23-order harmonic content		R	
999	03E6	A 相电压 24 次谐波含量 Phase A voltage with 24-order harmonic content		R	
1000	03E7	A 相电压 25 次谐波含量 Phase A voltage with 25-order harmonic content		R	
1001	03E8	A 相电压 26 次谐波含量 Phase A voltage with 26-order harmonic content		R	
1002	03E9	A 相电压 27 次谐波含量 Phase A voltage with 27-order harmonic content		R	
1003	03EA	A 相电压 28 次谐波含量 Phase A voltage with 28-order harmonic content		R	
1004	03EB	A 相电压 29 次谐波含量 Phase A voltage with 29-order harmonic content		R	
1005	03EC	A 相电压 30 次谐波含量 Phase A voltage with 30-order harmonic content		R	
1006	03ED	A 相电压 31 次谐波含量 Phase A voltage with 31-order harmonic content		R	
1007	03EE	B 相电压 2 次谐波含量 Phase B voltage with 2-order harmonic content		R	
1008	03EF	B 相电压 3 次谐波含量 Phase B voltage with 3-order harmonic content		R	
1009	03F0	B 相电压 4 次谐波含量 Phase B voltage with 4-order harmonic content		R	
1010	03F1	B 相电压 5 次谐波含量 Phase B voltage with 5-order harmonic content		R	
1011	03F2	B 相电压 6 次谐波含量 Phase B voltage with 6-order harmonic content		R	
1012	03F3	B 相电压 7 次谐波含量 Phase B voltage with 7-order harmonic content		R	
1013	03F4	B 相电压 8 次谐波含量 Phase B voltage with 8-order harmonic content		R	
1014	03F5	B 相电压 9 次谐波含量 Phase B voltage with 9-order harmonic content		R	
1015	03F6	B 相电压 10 次谐波含量 Phase B voltage with 10-order harmonic content		R	
1016	03F7	B 相电压 11 次谐波含量 Phase B voltage with 11-order harmonic content		R	
1017	03F8	B 相电压 12 次谐波含量 Phase B voltage with 12-order harmonic content		R	
1018	03F9	B 相电压 13 次谐波含量 Phase B voltage with 13-order harmonic content		R	

1019	03FA	B相电压14次谐波含量 Phase B voltage with 14-order harmonic content		R	
1020	03FB	B相电压15次谐波含量 Phase B voltage with 15-order harmonic content		R	
1021	03FC	B相电压16次谐波含量 Phase B voltage with 16-order harmonic content		R	
1022	03FD	B相电压17次谐波含量 Phase B voltage with 17-order harmonic content		R	
1023	03FE	B相电压18次谐波含量 Phase B voltage with 18-order harmonic content		R	
1024	03FF	B相电压19次谐波含量 Phase B voltage with 19-order harmonic content		R	
1025	0400	B相电压20次谐波含量 Phase B voltage with 20-order harmonic content		R	
1026	0401	B相电压21次谐波含量 Phase B voltage with 21-order harmonic content		R	
1027	0402	B相电压22次谐波含量 Phase B voltage with 22-order harmonic content		R	
1028	0403	B相电压23次谐波含量 Phase B voltage with 23-order harmonic content		R	
1029	0404	B相电压24次谐波含量 Phase B voltage with 24-order harmonic content		R	
1030	0405	B相电压25次谐波含量 Phase B voltage with 25-order harmonic content		R	
1031	0406	B相电压26次谐波含量 Phase B voltage with 26-order harmonic content		R	
1032	0407	B相电压27次谐波含量 Phase B voltage with 27-order harmonic content		R	
1033	0408	B相电压28次谐波含量 Phase B voltage with 28-order harmonic content		R	
1034	0409	B相电压29次谐波含量 Phase B voltage with 29-order harmonic content		R	
1035	040A	B相电压30次谐波含量 Phase B voltage with 30-order harmonic content		R	
1036	040B	B相电压31次谐波含量 Phase B voltage with 31-order harmonic content		R	
1037	040C	C相电压2次谐波含量 Phase C voltage with 2-order harmonic content		R	
1038	040D	C相电压3次谐波含量 Phase C voltage with 3-order harmonic content		R	
1039	040E	C相电压4次谐波含量 Phase C voltage with 4-order harmonic content		R	
1040	040F	C相电压5次谐波含量 Phase C voltage with 5-order harmonic content		R	
1041	0410	C相电压6次谐波含量 Phase C voltage with 6-order		R	

		harmonic content			
1042	0411	C相电压7次谐波含量 Phase C voltage with 7-order harmonic content		R	
1043	0412	C相电压8次谐波含量 Phase C voltage with 8-order harmonic content		R	
1044	0413	C相电压9次谐波含量 Phase C voltage with 9-order harmonic content		R	
1045	0414	C相电压10次谐波含量 Phase C voltage with 10-order harmonic content		R	
1046	0415	C相电压11次谐波含量 Phase C voltage with 11-order harmonic content		R	
1047	0416	C相电压12次谐波含量 Phase C voltage with 12-order harmonic content		R	
1048	0417	C相电压13次谐波含量 Phase C voltage with 13-order harmonic content		R	
1049	0418	C相电压14次谐波含量 Phase C voltage with 14-order harmonic content		R	
1050	0419	C相电压15次谐波含量 Phase C voltage with 15-order harmonic content		R	
1051	041A	C相电压16次谐波含量 Phase C voltage with 16-order harmonic content		R	
1052	041B	C相电压17次谐波含量 Phase C voltage with 17-order harmonic content		R	
1053	041C	C相电压18次谐波含量 Phase C voltage with 18-order harmonic content		R	
1054	041D	C相电压19次谐波含量 Phase C voltage with 19-order harmonic content		R	
1055	041E	C相电压20次谐波含量 Phase C voltage with 20-order harmonic content		R	
1056	041F	C相电压21次谐波含量 Phase C voltage with 21-order harmonic content		R	
1057	0420	C相电压22次谐波含量 Phase C voltage with 22-order harmonic content		R	
1058	0421	C相电压23次谐波含量 Phase C voltage with 23-order harmonic content		R	
1059	0422	C相电压24次谐波含量 Phase C voltage with 24-order harmonic content		R	
1060	0423	C相电压25次谐波含量 Phase C voltage with 25-order harmonic content		R	
1061	0424	C相电压26次谐波含量 Phase C voltage with 26-order harmonic content		R	
1062	0425	C相电压27次谐波含量 Phase C voltage with 27-order harmonic content		R	
1063	0426	C相电压28次谐波含量 Phase C voltage with 28-order harmonic content		R	

1064	0427	C相电压 29次谐波含量 Phase C voltage with 29-order harmonic content		R	
1065	0428	C相电压 30次谐波含量 Phase C voltage with 30-order harmonic content		R	
1066	0429	C相电压 31次谐波含量 Phase C voltage with 31-order harmonic content		R	
1067	042A	A相电流 2次谐波含量 Phase A current with 2-order harmonic content		R	
1068	042B	A相电流 3次谐波含量 Phase A current with 3-order harmonic content		R	
1069	042C	A相电流 4次谐波含量 Phase A current with 4-order harmonic content		R	
1070	042D	A相电流 5次谐波含量 Phase A current with 5-order harmonic content		R	
1071	042E	A相电流 6次谐波含量 Phase A current with 6-order harmonic content		R	
1072	042F	A相电流 7次谐波含量 Phase A current with 7-order harmonic content		R	
1073	0430	A相电流 8次谐波含量 Phase A current with 8-order harmonic content		R	
1074	0431	A相电流 9次谐波含量 Phase A current with 9-order harmonic content		R	
1075	0432	A相电流 10次谐波含量 Phase A current with 10-order harmonic content		R	
1076	0433	A相电流 11次谐波含量 Phase A current with 11-order harmonic content		R	
1077	0434	A相电流 12次谐波含量 Phase A current with 12-order harmonic content		R	
1078	0435	A相电流 13次谐波含量 Phase A current with 13-order harmonic content		R	
1079	0436	A相电流 14次谐波含量 Phase A current with 14-order harmonic content		R	
1080	0437	A相电流 15次谐波含量 Phase A current with 15-order harmonic content		R	
1081	0438	A相电流 16次谐波含量 Phase A current with 16-order harmonic content		R	
1082	0439	A相电流 17次谐波含量 Phase A current with 17-order harmonic content		R	
1083	043A	A相电流 18次谐波含量 Phase A current with 18-order harmonic content		R	
1084	043B	A相电流 19次谐波含量 Phase A current with 19-order harmonic content		R	
1085	043C	A相电流 20次谐波含量 Phase A current with 20-order harmonic content		R	
1086	043D	A相电流 21次谐波含量 Phase A current with		R	

		21-order harmonic content			
1087	043E	A 相电流 22 次谐波含量 Phase A current with 22-order harmonic content		R	
1088	043F	A 相电流 23 次谐波含量 Phase A current with 23-order harmonic content		R	
1089	0440	A 相电流 24 次谐波含量 Phase A current with 24-order harmonic content		R	
1090	0441	A 相电流 25 次谐波含量 Phase A current with 25-order harmonic content		R	
1091	0442	A 相电流 26 次谐波含量 Phase A current with 26-order harmonic content		R	
1092	0443	A 相电流 27 次谐波含量 Phase A current with 27-order harmonic content		R	
1093	0444	A 相电流 28 次谐波含量 Phase A current with 28-order harmonic content		R	
1094	0445	A 相电流 29 次谐波含量 Phase A current with 29-order harmonic content		R	
1095	0446	A 相电流 30 次谐波含量 Phase A current with 30-order harmonic content		R	
1096	0447	A 相电流 31 次谐波含量 Phase A current with 31-order harmonic content		R	
1097	0448	B 相电流 2 次谐波含量 Phase B current with 2-order harmonic content		R	
1098	0449	B 相电流 3 次谐波含量 Phase B current with 3-order harmonic content		R	
1099	044A	B 相电流 4 次谐波含量 Phase B current with 4-order harmonic content		R	
1100	044B	B 相电流 5 次谐波含量 Phase B current with 5-order harmonic content		R	
1101	044C	B 相电流 6 次谐波含量 Phase B current with 6-order harmonic content		R	
1102	044D	B 相电流 7 次谐波含量 Phase B current with 7-order harmonic content		R	
1103	044E	B 相电流 8 次谐波含量 Phase B current with 8-order harmonic content		R	
1104	044F	B 相电流 9 次谐波含量 Phase B current with 9-order harmonic content		R	
1105	0450	B 相电流 10 次谐波含量 Phase B current with 10-order harmonic content		R	
1106	0451	B 相电流 11 次谐波含量 Phase B current with 11-order harmonic content		R	
1107	0452	B 相电流 12 次谐波含量 Phase B current with 12-order harmonic content		R	
1108	0453	B 相电流 13 次谐波含量 Phase B current with 13-order harmonic content		R	

1109	0454	B相电流 14 次谐波含量 Phase B current with 14-order harmonic content		R	
1110	0455	B相电流 15 次谐波含量 Phase B current with 15-order harmonic content		R	
1111	0456	B相电流 16 次谐波含量 Phase B current with 16-order harmonic content		R	
1112	0457	B相电流 17 次谐波含量 Phase B current with 17-order harmonic content		R	
1113	0458	B相电流 18 次谐波含量 Phase B current with 18-order harmonic content		R	
1114	0459	B相电流 19 次谐波含量 Phase B current with 19-order harmonic content		R	
1115	045A	B相电流 20 次谐波含量 Phase B current with 20-order harmonic content		R	
1116	045B	B相电流 21 次谐波含量 Phase B current with 21-order harmonic content		R	
1117	045C	B相电流 22 次谐波含量 Phase B current with 22-order harmonic content		R	
1118	045D	B相电流 23 次谐波含量 Phase B current with 23-order harmonic content		R	
1119	045E	B相电流 24 次谐波含量 Phase B current with 24-order harmonic content		R	
1120	045F	B相电流 25 次谐波含量 Phase B current with 25-order harmonic content		R	
1121	0460	B相电流 26 次谐波含量 Phase B current with 26-order harmonic content		R	
1122	0461	B相电流 27 次谐波含量 Phase B current with 27-order harmonic content		R	
1123	0462	B相电流 28 次谐波含量 Phase B current with 28-order harmonic content		R	
1124	0463	B相电流 29 次谐波含量 Phase B current with 29-order harmonic content		R	
1125	0464	B相电流 30 次谐波含量 Phase B current with 30-order harmonic content		R	
1126	0465	B相电流 31 次谐波含量 Phase B current with 31-order harmonic content		R	
1127	0466	C相电流 2 次谐波含量 Phase C current with 2-order harmonic content		R	
1128	0467	C相电流 3 次谐波含量 Phase C current with 3-order harmonic content		R	
1129	0468	C相电流 4 次谐波含量 Phase C current with 4-order harmonic content		R	
1130	0469	C相电流 5 次谐波含量 Phase C current with 5-order harmonic content		R	
1131	046A	C相电流 6 次谐波含量 Phase C current with 6-order		R	

		harmonic content			
1132	046B	C相电流7次谐波含量 Phase C current with 7-order harmonic content		R	
1133	046C	C相电流8次谐波含量 Phase C current with 8-order harmonic content		R	
1134	046D	C相电流9次谐波含量 Phase C current with 9-order harmonic content		R	
1135	046E	C相电流10次谐波含量 Phase C current with 10-order harmonic content		R	
1136	046F	C相电流11次谐波含量 Phase C current with 11-order harmonic content		R	
1137	0470	C相电流12次谐波含量 Phase C current with 12-order harmonic content		R	
1138	0471	C相电流13次谐波含量 Phase C current with 13-order harmonic content		R	
1139	0472	C相电流14次谐波含量 Phase C current with 14-order harmonic content		R	
1140	0473	C相电流15次谐波含量 Phase C current with 15-order harmonic content		R	
1141	0474	C相电流16次谐波含量 Phase C current with 16-order harmonic content		R	
1142	0475	C相电流17次谐波含量 Phase C current with 17-order harmonic content		R	
1143	0476	C相电流18次谐波含量 Phase C current with 18-order harmonic content		R	
1144	0477	C相电流19次谐波含量 Phase C current with 19-order harmonic content		R	
1145	0478	C相电流20次谐波含量 Phase C current with 20-order harmonic content		R	
1146	0479	C相电流21次谐波含量 Phase C current with 21-order harmonic content		R	
1147	047A	C相电流22次谐波含量 Phase C current with 22-order harmonic content		R	
1148	047B	C相电流23次谐波含量 Phase C current with 23-order harmonic content		R	
1149	047C	C相电流24次谐波含量 Phase C current with 24-order harmonic content		R	
1150	047D	C相电流25次谐波含量 Phase C current with 25-order harmonic content		R	
1151	047E	C相电流26次谐波含量 Phase C current with 26-order harmonic content		R	
1152	047F	C相电流27次谐波含量 Phase C current with 27-order harmonic content		R	
1153	0480	C相电流28次谐波含量 Phase C current with 28-order harmonic content		R	

1154	0481	C相电流 29次谐波含量 Phase C current with 29-order harmonic content		R		
1155	0482	C相电流 30次谐波含量 Phase C current with 30-order harmonic content		R		
1156	0483	C相电流 31次谐波含量 Phase C current with 31-order harmonic content		R		
1157	0484	A相基波电压 Phase A Base wave voltage		R		整型 int 0.1
1158	0485	B相基波电压 Phase B Base wave voltage		R		
1159	0486	C相基波电压 Phase C Base wave voltage		R		
1160	0487	A相谐波电压 Phase A harmonic voltage		R		
1161	0488	B相谐波电压 Phase B harmonic voltage		R		
1162	0489	C相谐波电压 Phase C harmonic voltage		R		
1163	048A	A相基波电流 Phase A Base wave current		R		整型 int 0.01
1164	048B	B相基波电流 Phase B Base wave current		R		
1165	048C	C相基波电流 Phase C Base wave current		R		
1166	048D	A相谐波电流 Phase A harmonic current		R		
1167	048E	B相谐波电流 Phase B harmonic current		R		
1168	048F	C相谐波电流 Phase C harmonic current		R		
1169	0490	A相基波有功功率[0] Phase A Base wave active power[0]		R		整型 int 0.001
1170	0491	A相基波有功功率[1] Phase A Base wave active power[1]		R		
1171	0492	B相基波有功功率[0] Phase B Base wave active power[0]		R		
1172	0493	B相基波有功功率[1] Phase B Base wave active power[1]		R		
1173	0494	C相基波有功功率[0] Phase C Base wave active power[0]		R		
1174	0495	C相基波有功功率[1] Phase C Base wave active power[1]		R		
1175	0496	基波总有功功率[0] Base total wave active power[0]		R		
1176	0497	基波总有功功率[1] Base total wave active power[1]		R		
1177	0498	A相基波无功功率[0] Phase A Base wave reactive power[0]		R		
1178	0499	A相基波无功功率[1] Phase A Base wave reactive power[1]		R		
1179	049A	B相基波无功功率[0] Phase B Base wave reactive power[0]		R		
1180	049B	B相基波无功功率[1] Phase B Base wave reactive power[1]		R		
1181	049C	C相基波无功功率[0] Phase C Base wave reactive power[0]		R		
1182	049D	C相基波无功功率[1]		R		

		Phase C Base wave reactive power[1]			
1183	049E	基波总无功功率[0] Base wave total reactive power[0]		R	
1184	049F	基波总无功功率[1] Base wave total reactive power[1]		R	
1185	04A0	A相谐波有功功率[0] Phase A harmonic wave active power[0]		R	
1186	04A1	A相谐波有功功率[1] Phase A harmonic wave active power[1]		R	
1187	04A2	B相谐波有功功率[0] Phase B harmonic wave active power[0]		R	
1188	04A3	B相谐波有功功率[1] Phase B harmonic wave active power[1]		R	
1189	04A4	C相谐波有功功率[0] Phase C harmonic wave active power[0]		R	
1190	04A5	C相谐波有功功率[1] Phase C harmonic wave active power[1]		R	
1191	04A6	谐波总有功功率[0] Harmonic total active power[0]		R	
1192	04A7	谐波总有功功率[1] Harmonic total active power[1]		R	
1193	04A8	A相谐波无功功率[0] Phase A harmonic wave reactive power[0]		R	
1194	04A9	A相谐波无功功率[1] Phase A harmonic wave reactive power[1]		R	
1195	04AA	B相谐波无功功率[0] Phase B harmonic wave reactive power[0]		R	
1196	04AB	B相谐波无功功率[1] Phase B harmonic wave reactive power[1]		R	
1197	04AC	C相谐波无功功率[0] Phase C harmonic wave reactive power[0]		R	
1198	04AD	C相谐波无功功率[1] Phase C harmonic wave reactive power[1]		R	
1199	04AE	谐波总无功功率[0] Harmonic total reactive power[0]		R	
1200	04AF	谐波总无功功率[1] Harmonic total reactive power[1]		R	
1201	04B0	当前正向有功实时需量[0] Current forward active real-time demand[0]		R	整型 int 0.001
1202	04B1	当前正向有功实时需量[1] Current forward active real-time demand[1]		R	
1203	04B2	当前反向有功实时需量[0] Current reverse active real-time demand[0]		R	
1204	04B3	当前反向有功实时需量[1] Current reverse active real-time demand[1]		R	

1205	04B4	当前正向无功实时需量[0] Current forward reactive real-time demand[0]		R		
1206	04B5	当前正向无功实时需量[1] Current forward reactive real-time demand[1]		R		
1207	04B6	当前反向无功实时需量[0] Current reverse reactive real-time demand[0]		R		
1208	04B7	当前反向无功实时需量[1] Current reverse reactive real-time demand[1]		R		
1209	04B8	电压不平衡度 Voltage imbalance		R		整型 int 0.01%
1210	04B9	电流不平衡度 Current imbalance		R		
1211 ~ 1261	04BA ~ 04EC			R		预留 obligate
1262	04ED	当前总有功尖电能[0]current total active sharp electric energy[0]		R		复费率电能区 Re-rate electric energy area
1263	04EE	当前总有功尖电能[1]current total active sharp electric energy[1]		R		
1264	04EF	当前总有功峰电能[0]current total active Peak electric energy[0]		R		
1265	04F0	当前总有功峰电能[1]current total active peak electric energy[1]		R		
1266	04F1	当前总有功平电能[0]current total active Flat electric energy[0]		R		
1267	04F2	当前总有功平电能[1]current total active flat electric energy[1]		R		
1268	04F3	当前总有功谷电能[0]current total active Valley electric energy[0]		R		
1269	04F4	当前总有功谷电能[1]current total active Valley electric energy[1]		R		
1270	04F5	当前正向有功尖电能[0]Current forward active sharp electric energy[0]		R		
1271	04F6	当前正向有功尖电能[1]Current forward active sharp electric energy[1]		R		
1272	04F7	当前正向有功峰电能[0]current forward active peak electric energy[0]		R		
1273	04F8	当前正向有功峰电能[1]current forward active peak electric energy[1]		R		
1274	04F9	当前正向有功平电能[0]current forward active flat electric energy[0]		R		
1275	04FA	当前正向有功平电能[1]current forward active flat electric energy[0]		R		
1276	04FB	当前正向有功谷电能[0]current forward active Valley electric energy[0]		R		
1277	04FC	当前正向有功谷电能[1]current forward active Valley electric energy[1]		R		

		valley electric energy[0]				
1301	0514	当前反向无功谷电能[1]current reverse reactive valley electric energy[1]		R		
第四回路数据 Fourth loop data 0515~06BF						
1302	0515	A相电压 A phase voltage		R		整型 int 保留 1 位小数 Keep 1 bit decimal
1303	0516	B相电压 B phase voltage		R		
1304	0517	C相电压 C phase voltage		R		
1305	0518	AC线电压 AC line voltage		R		
1306	0519	BC线电压 BC line voltage		R		
1307	051A	CA线电压 CA line voltage		R		
1308	051B	A相电流 A phase current		R		整型 int 保留 2 位小数 Keep 2 decimal places
1309	051C	B相电流 B phase current		R		
1310	051D	C相电流 C phase current		R		
1311	051E	三相电流矢量和 The three-phase current vector and		R		
1312	051F	A相有功功率[0] Phase A active power is [0]		R		整型 int 保留 3 位小数 Keep 3 decimal places
1313	0520	A相有功功率[1] Phase A has an active power of [1]		R		
1314	0521	B相有功功率[0] Phase B active power is [0]		R		
1315	0522	B相有功功率[1] Phase B has an active power of [1]		R		
1316	0523	C相有功功率[0] Phase C active power is [0]		R		
1317	0524	C相有功功率[1] Phase C active power is [1]		R		
1318	0525	总有功功率[0] Total active power: [0]		R		
1319	0526	总有功功率[1] Total active power: [1]		R		
1320	0527	A相无功功率[0] Phase A has a reactive power of [0]		R		
1321	0528	A相无功功率[1] Phase A has a reactive power of [1]		R		
1322	0529	B相无功功率[0] Phase B with a reactive power of [0]		R		
1323	052A	B相无功功率[1] Phase B with a reactive power of [1]		R		
1324	052B	C相无功功率[0] C-phase reactive power of [0]		R		
1325	052C	C相无功功率[1] C-phase reactive power of [1]		R		
1326	052D	总无功功率[0] Total reactive power: [0]		R		

1327	052E	总无功功率[1] Total reactive power: [1]		R		
1328	052F	A相视在功率[0] A Phase Vision at power [0]		R		
1329	0530	A相视在功率[1] A Phase Vision at power [1]		R		
1330	0531	B相视在功率[0] B Phase Vision at power [0]		R		
1331	0532	B相视在功率[1] B Phase Vision at power [1]		R		
1332	0533	C相视在功率[0] C Phase Vision at power [0]		R		
1333	0534	C相视在功率[1] C Phase Vision at power [1]		R		
1334	0535	总视在功率[0] Total visual power [0]		R		
1335	0536	总视在功率[1] Total visual power [1]		R		
1336	0537	A相功率因数 Phase A power factor		R		
1337	0538	B相功率因数 Phase B power factor		R		
1338	0539	C相功率因数 Phase C power factor		R		
1339	053A	总功率因数 Total power factor		R		
1340	053B	功率方向 Power direction		R		
1341	053C	频率 frequency		R		
1342	053D	当前总有功电能[0] Current Total active electric energy[0]		R		
1343	053E	当前总有功电能[1] Current Total active electric energyr[1]		R		
1344	053F	当前正向总有功电能[0] Current Forward Total active electric energy[0]		R		
1345	0540	当前正向总有功电能[1] Current Forward Total active electric energy[1]		R		
1346	0541	当前反向总有功电能[0] Current Reverse Total active electric energy[0]		R		
1347	0542	当前反向总有功电能[1] Current Reverse Total active electric energy[1]		R		
1348	0543	当前正向总无功电能[0] Current Forward Total reactive electric energy[0]		R		
1349	0544	当前正向总无功电能[1]		R		

整型 int
保留 2 位小数
Keep 2 decimal
places

		Current Forward Total reactive electric energy[1]			
1350	0545	当前反向总无功电能[0] Current Reverse Total reactive electric energy[0]		R	
1351	0546	当前反向总无功电能[1] Current Reverse Total reactive electric energy[1]		R	
1352	0547	当前 A 相有功电能[0] Current Phase A active electric energy[0]		R	
1353	0548	当前 A 相有功电能[1] Current Phase A active electric energy[1]		R	
1354	0549	当前 A 相正向有功电能[0] Current Phase A Forward active electric energy[0]		R	
1355	054A	当前 A 相正向有功电能[1] Current Phase A Forward active electric energy[1]		R	
1356	054B	当前 A 相反向有功电能[0] Current Phase A Reverse active electric energy[0]		R	
1357	054C	当前 A 相反向有功电能[1] Current Phase A Reverse active electric energy[1]		R	
1358	054D	当前 A 相正向无功电能[0] Current Phase A Forward reactive electric energy[0]		R	
1359	054E	当前 A 相正向无功电能[1] Current Phase A Forward reactive electric energy[1]		R	
1360	054F	当前 A 相反向无功电能[0] Current Phase A Reverse reactive electric energy[0]		R	
1361	0550	当前 A 相反向无功电能[1] Current Phase A Reverse reactive electric energy[1]		R	
1362	0551	当前 B 相有功电能[0] Current Phase B active electric energy[0]		R	
1363	0552	当前 B 相有功电能[1] Current Phase B active electric energy[1]		R	
1364	0553	当前 B 相正向有功电能[0] Current Phase B Forward active electric energy[0]		R	
1365	0554	当前 B 相正向有功电能[1] Current Phase B Forward active electric		R	

		energy[1]			
1366	0555	当前 B 相反向有功电能[0] Current Phase B Reverse active electric energy[0]		R	
1367	0556	当前 B 相反向有功电能[1] Current Phase B Reverse active electric energy[1]		R	
1368	0557	当前 B 相正向无功电能[0] Current Phase B Forward reactive electric energy[0]		R	
1369	0558	当前 B 相正向无功电能[1] Current Phase B Forward reactive electric energy[1]		R	
1370	0559	当前 B 相反向无功电能[0] Current Phase B Reverse reactive electric energy[0]		R	
1371	055A	当前 B 相反向无功电能[1] Current Phase B Reverse reactive electric energy[1]		R	
1372	055B	当前 C 相有功电能[0] Current Phase C active electric energy[0]		R	
1373	055C	当前 C 相有功电能[1] Current Phase C active electric energy[1]		R	
1374	055D	当前 C 相正向有功电能[0] Current Phase C Forward active electric energy[0]		R	
1375	055E	当前 C 相正向有功电能[1] Current Phase C Forward active electric energy[1]		R	
1376	055F	当前 C 相反向有功电能[0] Current Phase C Reverse active electric energy[0]		R	
1377	0560	当前 C 相反向有功电能[1] Current Phase C Reverse active electric energy[1]		R	
1378	0561	当前 C 相正向无功电能[0] Current Phase C Forward reactive electric energy[0]		R	
1379	0562	当前 C 相正向无功电能[1] Current Phase C Forward reactive electric energy[1]		R	
1380	0563	当前 C 相反向无功电能[0] Current Phase B Reverse reactive electric energy[0]		R	
1381	0564	当前 C 相反向无功电能[1]		R	

		Current Phase C Reverse reactive electric energy[1]				
1382	0565	正向有功最大需量[0] forward active maximum demand [0]		R		
1383	0566	正向有功最大需量[1] forward active maximum demand [1]		R		
1384	0567	发生时间：分、时 Occurrence time: point, time		R		
1385	0568	发生时间：日、月 Time of occurrence: day and month		R		
1386	0569	反向有功最大需量[0] Reverse active maximum demand [0]		R		
1387	056A	反向有功最大需量[1] Reverse active maximum demand [1]		R		
1388	056B	发生时间：分、时 Occurrence time: point, time		R		
1389	056C	发生时间：日、月 Time of occurrence: day and month		R		
1390	056D	正向无功最大需量[0] forward reactive maximum demand [0]		R		
1391	056E	正向无功最大需量[1] forward reactive maximum demand [1]		R		
1392	056F	发生时间：分、时 Occurrence time: point, time		R		
1393	0570	发生时间：日、月 Time of occurrence: day and month		R		
1394	0571	反向无功最大需量[0] Reverse reactive maximum demand [0]		R		
1395	0572	反向无功最大需量[1] Reverse reactive maximum demand [1]		R		
1396	0573	发生时间：分、时 Occurrence time: point, time		R		
1397	0574	发生时间：日、月 Time of occurrence: day and month		R		
1398	0575	A相电压总畸变 phase A voltage Total distortion		R		整型 int 0.01%
1399	0576	B相电压总畸变 phase B voltage Total distortion		R		
1400	0577	C相电压总畸变 phase C voltage Total distortion		R		
1401	0578	A相电流总畸变 phase A current Total distortion		R		
1402	0579	B相电流总畸变 phase B current Total distortion		R		
1403	057A	C相电流总畸变		R		

		phase C current Total distortion			
1404	057B	A 相电压 2 次谐波含量 Phase A voltage with 2-order harmonic content		R	
1405	057C	A 相电压 3 次谐波含量 Phase A voltage with 3-order harmonic content		R	
1406	057D	A 相电压 4 次谐波含量 Phase A voltage with 4-order harmonic content		R	
1407	057E	A 相电压 5 次谐波含量 Phase A voltage with 5-order harmonic content		R	
1408	057F	A 相电压 6 次谐波含量 Phase A voltage with 6-order harmonic content		R	
1409	0580	A 相电压 7 次谐波含量 Phase A voltage with 7-order harmonic content		R	
1410	0581	A 相电压 8 次谐波含量 Phase A voltage with 8-order harmonic content		R	
1411	0582	A 相电压 9 次谐波含量 Phase A voltage with 9-order harmonic content		R	
1412	0583	A 相电压 10 次谐波含量 Phase A voltage with 10-order harmonic content		R	
1413	0584	A 相电压 11 次谐波含量 Phase A voltage with 11-order harmonic content		R	
1414	0585	A 相电压 12 次谐波含量 Phase A voltage with 12-order harmonic content		R	
1415	0586	A 相电压 13 次谐波含量 Phase A voltage with 13-order harmonic content		R	
1416	0587	A 相电压 14 次谐波含量 Phase A voltage with 14-order harmonic content		R	
1417	0588	A 相电压 15 次谐波含量 Phase A voltage with 15-order harmonic content		R	
1418	0589	A 相电压 16 次谐波含量 Phase A voltage with 16-order harmonic content		R	
1419	058A	A 相电压 17 次谐波含量 Phase A voltage with 17-order harmonic content		R	
1420	058B	A 相电压 18 次谐波含量 Phase A voltage with 18-order harmonic content		R	
1421	058C	A 相电压 19 次谐波含量 Phase A voltage with 19-order harmonic content		R	
1422	058D	A 相电压 20 次谐波含量 Phase A voltage with 20-order harmonic content		R	
1423	058E	A 相电压 21 次谐波含量 Phase A voltage with 21-order harmonic content		R	
1424	058F	A 相电压 22 次谐波含量 Phase A voltage with 22-order harmonic content		R	
1425	0590	A 相电压 23 次谐波含量 Phase A voltage with 23-order harmonic content		R	

整型 int
0.01%

1426	0591	A 相电压 24 次谐波含量 Phase A voltage with 24-order harmonic content		R	
1427	0592	A 相电压 25 次谐波含量 Phase A voltage with 25-order harmonic content		R	
1428	0593	A 相电压 26 次谐波含量 Phase A voltage with 26-order harmonic content		R	
1429	0594	A 相电压 27 次谐波含量 Phase A voltage with 27-order harmonic content		R	
1430	0595	A 相电压 28 次谐波含量 Phase A voltage with 28-order harmonic content		R	
1431	0596	A 相电压 29 次谐波含量 Phase A voltage with 29-order harmonic content		R	
1432	0597	A 相电压 30 次谐波含量 Phase A voltage with 30-order harmonic content		R	
1433	0598	A 相电压 31 次谐波含量 Phase A voltage with 31-order harmonic content		R	
1434	0599	B 相电压 2 次谐波含量 Phase B voltage with 2-order harmonic content		R	
1435	059A	B 相电压 3 次谐波含量 Phase B voltage with 3-order harmonic content		R	
1436	059B	B 相电压 4 次谐波含量 Phase B voltage with 4-order harmonic content		R	
1437	059C	B 相电压 5 次谐波含量 Phase B voltage with 5-order harmonic content		R	
1438	059D	B 相电压 6 次谐波含量 Phase B voltage with 6-order harmonic content		R	
1439	059E	B 相电压 7 次谐波含量 Phase B voltage with 7-order harmonic content		R	
1440	059F	B 相电压 8 次谐波含量 Phase B voltage with 8-order harmonic content		R	
1441	05A0	B 相电压 9 次谐波含量 Phase B voltage with 9-order harmonic content		R	
1442	05A1	B 相电压 10 次谐波含量 Phase B voltage with 10-order harmonic content		R	
1443	05A2	B 相电压 11 次谐波含量 Phase B voltage with 11-order harmonic content		R	
1444	05A3	B 相电压 12 次谐波含量 Phase B voltage with 12-order harmonic content		R	
1445	05A4	B 相电压 13 次谐波含量 Phase B voltage with 13-order harmonic content		R	
1446	05A5	B 相电压 14 次谐波含量 Phase B voltage with 14-order harmonic content		R	
1447	05A6	B 相电压 15 次谐波含量 Phase B voltage with 15-order harmonic content		R	
1448	05A7	B 相电压 16 次谐波含量 Phase B voltage with		R	

		16-order harmonic content			
1449	05A8	B相电压17次谐波含量 Phase B voltage with 17-order harmonic content		R	
1450	05A9	B相电压18次谐波含量 Phase B voltage with 18-order harmonic content		R	
1451	05AA	B相电压19次谐波含量 Phase B voltage with 19-order harmonic content		R	
1452	05AB	B相电压20次谐波含量 Phase B voltage with 20-order harmonic content		R	
1453	05AC	B相电压21次谐波含量 Phase B voltage with 21-order harmonic content		R	
1454	05AD	B相电压22次谐波含量 Phase B voltage with 22-order harmonic content		R	
1455	05AE	B相电压23次谐波含量 Phase B voltage with 23-order harmonic content		R	
1456	05AF	B相电压24次谐波含量 Phase B voltage with 24-order harmonic content		R	
1457	05B0	B相电压25次谐波含量 Phase B voltage with 25-order harmonic content		R	
1458	05B1	B相电压26次谐波含量 Phase B voltage with 26-order harmonic content		R	
1459	05B2	B相电压27次谐波含量 Phase B voltage with 27-order harmonic content		R	
1460	05B3	B相电压28次谐波含量 Phase B voltage with 28-order harmonic content		R	
1461	05B4	B相电压29次谐波含量 Phase B voltage with 29-order harmonic content		R	
1462	05B5	B相电压30次谐波含量 Phase B voltage with 30-order harmonic content		R	
1463	05B6	B相电压31次谐波含量 Phase B voltage with 31-order harmonic content		R	
1464	05B7	C相电压2次谐波含量 Phase C voltage with 2-order harmonic content		R	
1465	05B8	C相电压3次谐波含量 Phase C voltage with 3-order harmonic content		R	
1466	05B9	C相电压4次谐波含量 Phase C voltage with 4-order harmonic content		R	
1467	05BA	C相电压5次谐波含量 Phase C voltage with 5-order harmonic content		R	
1468	05BB	C相电压6次谐波含量 Phase C voltage with 6-order harmonic content		R	
1469	05BC	C相电压7次谐波含量 Phase C voltage with 7-order harmonic content		R	
1470	05BD	C相电压8次谐波含量 Phase C voltage with 8-order harmonic content		R	

1471	05BE	C相电压9次谐波含量 Phase C voltage with 9-order harmonic content		R	
1472	05BF	C相电压10次谐波含量 Phase C voltage with 10-order harmonic content		R	
1473	05C0	C相电压11次谐波含量 Phase C voltage with 11-order harmonic content		R	
1474	05C1	C相电压12次谐波含量 Phase C voltage with 12-order harmonic content		R	
1475	05C2	C相电压13次谐波含量 Phase C voltage with 13-order harmonic content		R	
1476	05C3	C相电压14次谐波含量 Phase C voltage with 14-order harmonic content		R	
1477	05C4	C相电压15次谐波含量 Phase C voltage with 15-order harmonic content		R	
1478	05C5	C相电压16次谐波含量 Phase C voltage with 16-order harmonic content		R	
1479	05C6	C相电压17次谐波含量 Phase C voltage with 17-order harmonic content		R	
1480	05C7	C相电压18次谐波含量 Phase C voltage with 18-order harmonic content		R	
1481	05C8	C相电压19次谐波含量 Phase C voltage with 19-order harmonic content		R	
1482	05C9	C相电压20次谐波含量 Phase C voltage with 20-order harmonic content		R	
1483	05CA	C相电压21次谐波含量 Phase C voltage with 21-order harmonic content		R	
1484	05CB	C相电压22次谐波含量 Phase C voltage with 22-order harmonic content		R	
1485	05CC	C相电压23次谐波含量 Phase C voltage with 23-order harmonic content		R	
1486	05CD	C相电压24次谐波含量 Phase C voltage with 24-order harmonic content		R	
1487	05CE	C相电压25次谐波含量 Phase C voltage with 25-order harmonic content		R	
1488	05CF	C相电压26次谐波含量 Phase C voltage with 26-order harmonic content		R	
1489	05D0	C相电压27次谐波含量 Phase C voltage with 27-order harmonic content		R	
1490	05D1	C相电压28次谐波含量 Phase C voltage with 28-order harmonic content		R	
1491	05D2	C相电压29次谐波含量 Phase C voltage with 29-order harmonic content		R	
1492	05D3	C相电压30次谐波含量 Phase C voltage with 30-order harmonic content		R	
1493	05D4	C相电压31次谐波含量 Phase C voltage with		R	

		31-order harmonic content			
1494	05D5	A 相电流 2 次谐波含量 Phase A current with 2-order harmonic content		R	
1495	05D6	A 相电流 3 次谐波含量 Phase A current with 3-order harmonic content		R	
1496	05D7	A 相电流 4 次谐波含量 Phase A current with 4-order harmonic content		R	
1497	05D8	A 相电流 5 次谐波含量 Phase A current with 5-order harmonic content		R	
1498	05D9	A 相电流 6 次谐波含量 Phase A current with 6-order harmonic content		R	
1499	05DA	A 相电流 7 次谐波含量 Phase A current with 7-order harmonic content		R	
1500	05DB	A 相电流 8 次谐波含量 Phase A current with 8-order harmonic content		R	
1501	05DC	A 相电流 9 次谐波含量 Phase A current with 9-order harmonic content		R	
1502	05DD	A 相电流 10 次谐波含量 Phase A current with 10-order harmonic content		R	
1503	05DE	A 相电流 11 次谐波含量 Phase A current with 11-order harmonic content		R	
1504	05DF	A 相电流 12 次谐波含量 Phase A current with 12-order harmonic content		R	
1505	05E0	A 相电流 13 次谐波含量 Phase A current with 13-order harmonic content		R	
1506	05E1	A 相电流 14 次谐波含量 Phase A current with 14-order harmonic content		R	
1507	05E2	A 相电流 15 次谐波含量 Phase A current with 15-order harmonic content		R	
1508	05E3	A 相电流 16 次谐波含量 Phase A current with 16-order harmonic content		R	
1509	05E4	A 相电流 17 次谐波含量 Phase A current with 17-order harmonic content		R	
1510	05E5	A 相电流 18 次谐波含量 Phase A current with 18-order harmonic content		R	
1511	05E6	A 相电流 19 次谐波含量 Phase A current with 19-order harmonic content		R	
1512	05E7	A 相电流 20 次谐波含量 Phase A current with 20-order harmonic content		R	
1513	05E8	A 相电流 21 次谐波含量 Phase A current with 21-order harmonic content		R	
1514	05E9	A 相电流 22 次谐波含量 Phase A current with 22-order harmonic content		R	
1515	05EA	A 相电流 23 次谐波含量 Phase A current with 23-order harmonic content		R	

1516	05EB	A相电流24次谐波含量 Phase A current with 24-order harmonic content		R	
1517	05EC	A相电流25次谐波含量 Phase A current with 25-order harmonic content		R	
1518	05ED	A相电流26次谐波含量 Phase A current with 26-order harmonic content		R	
1519	05EE	A相电流27次谐波含量 Phase A current with 27-order harmonic content		R	
1520	05EF	A相电流28次谐波含量 Phase A current with 28-order harmonic content		R	
1521	05F0	A相电流29次谐波含量 Phase A current with 29-order harmonic content		R	
1522	05F1	A相电流30次谐波含量 Phase A current with 30-order harmonic content		R	
1523	05F2	A相电流31次谐波含量 Phase A current with 31-order harmonic content		R	
1524	05F3	B相电流2次谐波含量 Phase B current with 2-order harmonic content		R	
1525	05F4	B相电流3次谐波含量 Phase B current with 3-order harmonic content		R	
1526	05F5	B相电流4次谐波含量 Phase B current with 4-order harmonic content		R	
1527	05F6	B相电流5次谐波含量 Phase B current with 5-order harmonic content		R	
1528	05F7	B相电流6次谐波含量 Phase B current with 6-order harmonic content		R	
1529	05F8	B相电流7次谐波含量 Phase B current with 7-order harmonic content		R	
1530	05F9	B相电流8次谐波含量 Phase B current with 8-order harmonic content		R	
1531	05FA	B相电流9次谐波含量 Phase B current with 9-order harmonic content		R	
1532	05FB	B相电流10次谐波含量 Phase B current with 10-order harmonic content		R	
1533	05FC	B相电流11次谐波含量 Phase B current with 11-order harmonic content		R	
1534	05FD	B相电流12次谐波含量 Phase B current with 12-order harmonic content		R	
1535	05FE	B相电流13次谐波含量 Phase B current with 13-order harmonic content		R	
1536	05FF	B相电流14次谐波含量 Phase B current with 14-order harmonic content		R	
1537	0600	B相电流15次谐波含量 Phase B current with 15-order harmonic content		R	
1538	0601	B相电流16次谐波含量 Phase B current with		R	

		16-order harmonic content			
1539	0602	B相电流 17次谐波含量 Phase B current with 17-order harmonic content		R	
1540	0603	B相电流 18次谐波含量 Phase B current with 18-order harmonic content		R	
1541	0604	B相电流 19次谐波含量 Phase B current with 19-order harmonic content		R	
1542	0605	B相电流 20次谐波含量 Phase B current with 20-order harmonic content		R	
1543	0606	B相电流 21次谐波含量 Phase B current with 21-order harmonic content		R	
1544	0607	B相电流 22次谐波含量 Phase B current with 22-order harmonic content		R	
1545	0608	B相电流 23次谐波含量 Phase B current with 23-order harmonic content		R	
1546	0609	B相电流 24次谐波含量 Phase B current with 24-order harmonic content		R	
1547	060A	B相电流 25次谐波含量 Phase B current with 25-order harmonic content		R	
1548	060B	B相电流 26次谐波含量 Phase B current with 26-order harmonic content		R	
1549	060C	B相电流 27次谐波含量 Phase B current with 27-order harmonic content		R	
1550	060D	B相电流 28次谐波含量 Phase B current with 28-order harmonic content		R	
1551	060E	B相电流 29次谐波含量 Phase B current with 29-order harmonic content		R	
1552	060F	B相电流 30次谐波含量 Phase B current with 30-order harmonic content		R	
1553	0610	B相电流 31次谐波含量 Phase B current with 31-order harmonic content		R	
1554	0611	C相电流 2次谐波含量 Phase C current with 2-order harmonic content		R	
1555	0612	C相电流 3次谐波含量 Phase C current with 3-order harmonic content		R	
1556	0613	C相电流 4次谐波含量 Phase C current with 4-order harmonic content		R	
1557	0614	C相电流 5次谐波含量 Phase C current with 5-order harmonic content		R	
1558	0615	C相电流 6次谐波含量 Phase C current with 6-order harmonic content		R	
1559	0616	C相电流 7次谐波含量 Phase C current with 7-order harmonic content		R	
1560	0617	C相电流 8次谐波含量 Phase C current with 8-order harmonic content		R	

1561	0618	C相电流9次谐波含量 Phase C current with 9-order harmonic content		R	
1562	0619	C相电流10次谐波含量 Phase C current with 10-order harmonic content		R	
1563	061A	C相电流11次谐波含量 Phase C current with 11-order harmonic content		R	
1564	061B	C相电流12次谐波含量 Phase C current with 12-order harmonic content		R	
1565	061C	C相电流13次谐波含量 Phase C current with 13-order harmonic content		R	
1566	061D	C相电流14次谐波含量 Phase C current with 14-order harmonic content		R	
1567	061E	C相电流15次谐波含量 Phase C current with 15-order harmonic content		R	
1568	061F	C相电流16次谐波含量 Phase C current with 16-order harmonic content		R	
1569	0620	C相电流17次谐波含量 Phase C current with 17-order harmonic content		R	
1570	0621	C相电流18次谐波含量 Phase C current with 18-order harmonic content		R	
1571	0622	C相电流19次谐波含量 Phase C current with 19-order harmonic content		R	
1572	0623	C相电流20次谐波含量 Phase C current with 20-order harmonic content		R	
1573	0624	C相电流21次谐波含量 Phase C current with 21-order harmonic content		R	
1574	0625	C相电流22次谐波含量 Phase C current with 22-order harmonic content		R	
1575	0626	C相电流23次谐波含量 Phase C current with 23-order harmonic content		R	
1576	0627	C相电流24次谐波含量 Phase C current with 24-order harmonic content		R	
1577	0628	C相电流25次谐波含量 Phase C current with 25-order harmonic content		R	
1578	0629	C相电流26次谐波含量 Phase C current with 26-order harmonic content		R	
1579	062A	C相电流27次谐波含量 Phase C current with 27-order harmonic content		R	
1580	062B	C相电流28次谐波含量 Phase C current with 28-order harmonic content		R	
1581	062C	C相电流29次谐波含量 Phase C current with 29-order harmonic content		R	
1582	062D	C相电流30次谐波含量 Phase C current with 30-order harmonic content		R	
1583	062E	C相电流31次谐波含量 Phase C current with		R	

		31-order harmonic content				
1584	062F	A相基波电压 Phase A Base wave voltage		R		整型 int 0.1
1585	0630	B相基波电压 Phase B Base wave voltage		R		
1586	0631	C相基波电压 Phase C Base wave voltage		R		
1587	0632	A相谐波电压 Phase A harmonic voltage		R		
1588	0633	B相谐波电压 Phase B harmonic voltage		R		
1589	0634	C相谐波电压 Phase C harmonic voltage		R		
1590	0635	A相基波电流 Phase A Base wave current		R		整型 int 0.01
1591	0636	B相基波电流 Phase B Base wave current		R		
1592	0637	C相基波电流 Phase C Base wave current		R		
1593	0638	A相谐波电流 Phase A harmonic current		R		
1594	0639	B相谐波电流 Phase B harmonic current		R		
1595	063A	C相谐波电流 Phase C harmonic current		R		
1596	063B	A相基波有功功率[0] Phase A Base wave active power[0]		R		整型 int 0.001
1597	063C	A相基波有功功率[1] Phase A Base wave active power[1]		R		
1598	063D	B相基波有功功率[0] Phase B Base wave active power[0]		R		
1599	063E	B相基波有功功率[1] Phase B Base wave active power[1]		R		
1600	063F	C相基波有功功率[0] Phase C Base wave active power[0]		R		
1601	0640	C相基波有功功率[1] Phase C Base wave active power[1]		R		
1602	0641	基波总有功功率[0] Base total wave active power[0]		R		
1603	0642	基波总有功功率[1] Base total wave active power[1]		R		
1604	0643	A相基波无功功率[0] Phase A Base wave reactive power[0]		R		
1605	0644	A相基波无功功率[1] Phase A Base wave reactive power[1]		R		
1606	0645	B相基波无功功率[0] Phase B Base wave reactive power[0]		R		
1607	0646	B相基波无功功率[1] Phase B Base wave reactive power[1]		R		
1608	0647	C相基波无功功率[0] Phase C Base wave reactive power[0]		R		
1609	0648	C相基波无功功率[1] Phase C Base wave reactive power[1]		R		
1610	0649	基波总无功功率[0] Base wave total reactive power[0]		R		
1611	064A	基波总无功功率[1] Base wave total reactive power[1]		R		

1612	064B	A相谐波有功功率[0] Phase A harmonic wave active power[0]		R	
1613	064C	A相谐波有功功率[1] Phase A harmonic wave active power[1]		R	
1614	064D	B相谐波有功功率[0] Phase B harmonic wave active power[0]		R	
1615	064E	B相谐波有功功率[1] Phase B harmonic wave active power[1]		R	
1616	064F	C相谐波有功功率[0] Phase C harmonic wave active power[0]		R	
1617	0650	C相谐波有功功率[1] Phase C harmonic wave active power[1]		R	
1618	0651	谐波总有功功率[0] Harmonic total active power[0]		R	
1619	0652	谐波总有功功率[1] Harmonic total active power[1]		R	
1620	0653	A相谐波无功功率[0] Phase A harmonic wave reactive power[0]		R	
1621	0654	A相谐波无功功率[1] Phase A harmonic wave reactive power[1]		R	
1622	0655	B相谐波无功功率[0] Phase B harmonic wave reactive power[0]		R	
1623	0656	B相谐波无功功率[1] Phase B harmonic wave reactive power[1]		R	
1624	0657	C相谐波无功功率[0] Phase C harmonic wave reactive power[0]		R	
1625	0658	C相谐波无功功率[1] Phase C harmonic wave reactive power[1]		R	
1626	0659	谐波总无功功率[0] Harmonic total reactive power[0]		R	
1627	065A	谐波总无功功率[1] Harmonic total reactive power[1]		R	
1628	065B	当前正向有功实时需量[0] Current forward active real-time demand[0]		R	整型 int 0.001
1629	065C	当前正向有功实时需量[1] Current forward active real-time demand[1]		R	
1630	065D	当前反向有功实时需量[0] Current reverse active real-time demand[0]		R	
1631	065E	当前反向有功实时需量[1] Current reverse active real-time demand[1]		R	
1632	065F	当前正向无功实时需量[0] Current forward reactive real-time demand[0]		R	
1633	0660	当前正向无功实时需量[1] Current forward reactive real-time demand[1]		R	
1634	0661	当前反向无功实时需量[0]		R	

		Current reverse reactive real-time demand[0]			
1635	0662	当前反向无功实时需量[1] Current reverse reactive real-time demand[1]		R	
1636	0663	电压不平衡度 Voltage imbalance		R	整型 int 0.01%
1637	0664	电流不平衡度 Current imbalance		R	
1638 ~ 1688	0665 ~ 0697			R	预留 obligate
1689	0698	当前总有功尖电能[0]current total active sharp electric energy[0]		R	复费率电能区 Re-rate electric energy area
1690	0699	当前总有功尖电能[1]current total active sharp electric energy[1]		R	
1691	069A	当前总有功峰电能[0]current total active Peak electric energy[0]		R	
1692	069B	当前总有功峰电能[1]current total active peak electric energy[1]		R	
1693	069C	当前总有功平电能[0]current total active Flat electric energy[0]		R	
1694	069D	当前总有功平电能[1]current total active flat electric energy[1]		R	
1695	069E	当前总有功谷电能[0]current total active Valley electric energy[0]		R	
1696	069F	当前总有功谷电能[1]current total active Valley electric energy[1]		R	
1697	06A0	当前正向有功尖电能[0]Current forward active sharp electric energy[0]		R	
1698	06A1	当前正向有功尖电能[1]Current forward active sharp electric energy[1]		R	
1699	06A2	当前正向有功峰电能[0]current forward active peak electric energy[0]		R	
1700	06A3	当前正向有功峰电能[1]current forward active peak electric energy[1]		R	
1701	06A4	当前正向有功平电能[0]current forward active flat electric energy[0]		R	
1702	06A5	当前正向有功平电能[1]current forward active flat electric energy[0]		R	
1703	06A6	当前正向有功谷电能[0]current forward active Valley electric energy[0]		R	
1704	06A7	当前正向有功谷电能[1]current forward active Valley electric energy[1]		R	
1705	06A8	当前反向有功尖电能[0]current reverse active sharp electric energy[0]		R	
1706	06A9	当前反向有功尖电能[1]current reverse active sharp electric energy[1]		R	
1707	06AA	当前反向有功峰电能[0]current reverse active		R	

		peak electric energy[0]			
1708	06AB	当前反向有功峰电能[1]current reverse active peak electric energy[1]		R	
1709	06AC	当前反向有功平电能[0]current reverse active flat electric energy[0]		R	
1710	06AD	当前反向有功平电能[1]current reverse active flat electric energy[1]		R	
1711	06AE	当前反向有功谷电能[0]current reverse active valley electric energy[0]		R	
1712	06AF	当前反向有功谷电能[1]current reverse active valley electric energy[1]		R	
1713	06B0	当前正向无功尖电能[0]current forward reactive sharp electric energy[0]		R	
1714	06B1	当前正向无功尖电能[1]current forward reactive sharp electric energy[1]		R	
1715	06B2	当前正向无功峰电能[0]current forward reactive peak electric energy[0]		R	
1716	06B3	当前正向无功峰电能[1]current forward reactive peak electric energy[1]		R	
1717	06B4	当前正向无功平电能[0]current forward reactive flat electric energy[0]		R	
1718	06B5	当前正向无功平电能[1]current forward reactive flat electric energy[1]		R	
1719	06B6	当前正向无功谷电能[0]current forward reactive valley electric energy[0]		R	
1720	06B7	当前正向无功谷电能[1]current forward reactive valley electric energy[0]		R	
1721	06B8	当前反向无功尖电能[0]current reverse reactive sharp electric energy[0]		R	
1722	06B9	当前反向无功尖电能[1]current reverse reactive sharp electric energy[1]		R	
1723	06BA	当前反向无功峰电能[0]current reverse reactive peak electric energy[0]		R	
1724	06BB	当前反向无功峰电能[1]current reverse reactive peak electric energy[1]		R	
1725	06BC	当前反向无功平电能[0]current reverse reactive flat electric energy[0]		R	
1726	06BD	当前反向无功平电能[1]current reverse reactive flat electric energy[1]		R	
1727	06BE	当前反向无功谷电能[0]current reverse reactive valley electric energy[0]		R	
1728	06BF	当前反向无功谷电能[1]current reverse reactive valley electric energy[1]		R	
通用数据 conventional data 06C0~06F2					
1729	06C0	时区时段表号/时区日期：日		R/W	时区表

		Time zone Time table number / Time zone Date: Day				Time zone table
1730	06C1	时区日期: 月/时区时段表号 Time zone Date: month / time zone period table number		R/W		
1731	06C2	时区日期: 日/时区日期: 月 Time zone Date: Day / Time zone Date: month		R/W		
1732	06C3	时区时段表号/时区日期: 日 Time zone Time table number / Time zone Date: Day		R/W		
1733	06C4	时区日期: 月/时区时段表号 Time zone Date: month / time zone period table number		R/W		
1734	06C5	时区日期: 日/时区日期: 月 Time zone Date: Day / Time zone Date: month		R/W		
1735	06C6	第1时段费率号/第1时段起始: 分 Period 1 rate number / Period 1 Start: minute		R/W		
1736	06C7	第1时段起始: 时/第2时段费率号 Period 1 start: Time / Period 2 rate number		R/W		
1737	06C8	第2时段起始: 分/第2时段起始: 时 Period 2 start: minutes / Period 2 start: hour		R/W		
1738	06C9	第3时段费率号/第3时段起始: 分 Period 3 rate number / Period 3 Start: minute		R/W		
1739	06CA	第3时段起始: 时/第4时段费率号 Period 3 Start: Time / Period 4 rate number		R/W		
1740	06CB	第4时段起始: 分/第4时段起始: 时 Period 4 start: minutes / Period 4 start: hour		R/W		
1741	06CC	第5时段费率号/第5时段起始: 分 Period 5 rate number / Period 5 Start: minute		R/W		
1742	06CD	第5时段起始: 时/第6时段费率号 Period 5 Start: Time / Period 6 rate number		R/W		
1743	06CE	第6时段起始: 分/第6时段起始: 时 Period 6 start: minutes / period 6 start: hour		R/W		
1744	06CF	第7时段费率号/第7时段起始: 分 Period 7 rate number / Period 7 Start: minute		R/W		
1745	06D0	第7时段起始: 时/第8时段费率号 Period 7 Start: Time / Period 8 rate number		R/W		
1746	06D1	第8时段起始: 分/第8时段起始: 时 Period 8 start: minutes / Period 8 start: hour		R/W		
1747	06D2	第9时段费率号/第9时段起始: 分 Period 9 Rate Number / Period 9 Start: minute		R/W		
1748	06D3	第9时段起始: 时/第10时段费率号 Period 9 start: Time / Period 10 rate number		R/W		
1749	06D4	第10时段起始: 分/第10时段起始: 时 Period 10 start: minutes / Period 10 start: hour		R/W		
1750	06D5	第11时段费率号/第11时段起始: 分 Period 11 rate Number / Period 11 Start: minute		R/W		

第一时段表
The first time table

1751	06D6	第11时段起始：时/第12时段费率号 Period 11 Start: Time / Period 12 rate number		R/W	
1752	06D7	第12时段起始：分/第12时段起始：时 Period 12 Start: minutes / Period 12 Start: hour		R/W	
1753	06D8	第13时段费率号/第13时段起始：分 Period 13 Rate Number / Period 13 Start: minute		R/W	
1754	06D9	第13时段起始：时/第14时段费率号 Period 13 Start: Time / Period 14 rate number		R/W	
1755	06DA	第14时段起始：分/第14时段起始：时 Period 14 Time: Time / Period 14 Time: Time		R/W	
1756	06DB	第1时段费率号/第1时段起始：分 Period 1 rate number / Period 1 Start: minute		R/W	
1757	06DC	第1时段起始：时/第2时段费率号 Period 1 start: Time / Period 2 rate number		R/W	
1758	06DD	第2时段起始：分/第2时段起始：时 Period 2 start: minutes / Period 2 start: hour		R/W	
1759	06DE	第3时段费率号/第3时段起始：分 Period 3 rate number / Period 3 Start: minute		R/W	
1760	06DF	第3时段起始：时/第4时段费率号 Period 3 Start: Time / Period 4 rate number		R/W	
1761	06E0	第4时段起始：分/第4时段起始：时 Period 4 start: minutes / Period 4 start: hour		R/W	
1762	06E1	第5时段费率号/第5时段起始：分 Period 5 rate number / Period 5 Start: minute		R/W	
1763	06E2	第5时段起始：时/第6时段费率号 Period 5 Start: Time / Period 6 rate number		R/W	
1764	06E3	第6时段起始：分/第6时段起始：时 Period 6 start: minutes / period 6 start: hour		R/W	
1765	06E4	第7时段费率号/第7时段起始：分 Period 7 rate number / Period 7 Start: minute		R/W	
1766	06E5	第7时段起始：时/第8时段费率号 Period 7 Start: Time / Period 8 rate number		R/W	
1767	06E6	第8时段起始：分/第8时段起始：时 Period 8 start: minutes / Period 8 start: hour		R/W	
1768	06E7	第9时段费率号/第9时段起始：分 Period 9 Rate Number / Period 9 Start: minute		R/W	
1769	06E8	第9时段起始：时/第10时段费率号 Period 9 start: Time / Period 10 rate number		R/W	
1770	06E9	第10时段起始：分/第10时段起始：时 Period 10 start: minutes / Period 10 start: hour		R/W	
1771	06EA	第11时段费率号/第11时段起始：分 Period 11 rate Number / Period 11 Start: minute		R/W	
1772	06EB	第11时段起始：时/第12时段费率号 Period 11 Start: Time / Period 12 rate number		R/W	
1773	06EC	第12时段起始：分/第12时段起始：时		R/W	

第二时段表
The second time
table

		Period 12 Start: minutes / Period 12 Start: hour			
1774	06ED	第 13 时段费率号/第 13 时段起始: 分 Period 13 Rate Number / Period 13 Start: minute		R/W	
1775	06EE	第 13 时段起始: 时/第 14 时段费率号 Period 13 Start: Time / Period 14 rate number		R/W	
1776	06EF	第 14 时段起始: 分/第 14 时段起始: 时 Period 14 Time: Time / Period 14 Time: Time		R/W	
1777	06F0	FreezeTime		R/W	电能冻结日设置 Electric energy freezing day setting
1778	06F1	RSSI		R	无线信号强度 Wireless signal intensity
1779	06F2	IOStatus		R	DI 状态 DI state

7 常见故障排查 Troubleshooting of Common Faults

7.1 指示灯问题 Indicator lamp problem

问题: 仪表安装后不亮, 或者某一路电压指示灯不亮。

Problem: The instrument is not lit after installation, or a certain road voltage indicator light is not lit.

排查建议: 外部开关量输入或电压输入是否正常。

Check suggestions: whether the external switch volume input or voltage input is normal.

7.2 无线通讯故障 Wireless communication failure

问题: 仪表无线通讯故障。

Problem: Instrument wireless communication failure.

排查建议: 请先使用 USB 转 485 串口线与仪表 RS485 接口相连, 通过通讯读取表内参数, 确认表内参数与上端主站无线配置是否相同 (频道与扩频因数), 若不同, 请修改仪表无线参数与主站一致后再重新测试; 若相同, 则有可能是仪表与主站相距太远或现场干扰严重, 此时可尝试使用外置吸盘天线, 或者考虑就近新增无线主站, 再行测试。

Please connect the instrument RS485 interface with USB to 485 serial port first, read the parameters in the table through communication, confirm whether the parameters in the table are the same as the wireless configuration of the upper main station (channel and spread spectrum factor). If different, please modify the wireless parameters of the instrument to be consistent with the main station before re-testing; if the same, it may be the instrument and the main station phase. If the distance is too far or the interference is serious, we can try to use the external sucker antenna, or consider adding a new wireless main station nearby, and then test it.

总部：安科瑞电气股份有限公司

Headquarter: Acrel Co., LTD.

地址：上海市嘉定区育绿路 253 号

Address: No.253 Yulv Road Jiading District, Shanghai, China

电话：0086-21-69158338 0086-21-69156052 0086-21-59156392 0086-21-69156971

TEL.: 0086-21-69158338 0086-21-69156052 0086-21-59156392 0086-21-69156971

传真：0086-21-69158303

Fax: 0086-21-69158303

网址：www.acrel-electric.com

Web-site: www.acrel-electric.com

邮箱：ACREL008@vip.163.com

Email: ACREL008@vip.163.com

邮编：201801

Postcode: 201801

生产基地：江苏安科瑞电器制造有限公司

Manufacturer: Jiangsu Acrel Electrical Manufacturing Co., LTD.

地址：江苏省江阴市南闸街道东盟工业园区东盟路 5 号

Address: No.5 Dongmeng Road, Dongmeng industrial Park, Nanzha Street, Jiangyin City, Jiangsu Province, China

电话：0086-510-86179966

TEL: 0086-510-86179966

传真：0086-510-86179975

Fax: 0086-510-86179975

网址：www.jsacrel.com

Web-site: www.jsacrel.com

邮箱：sales@email.acrel.cn

Email: sales@email.acrel.cn

邮编：214405

Postcode: 214405