

065



BR Series Rogowski Coil Transducer

Installation and Operation Manual V1.0

Acrel Co., Ltd.

Declaration

The copyright is the property of Acrel. Any information in any paragraph or section of this manual shall not be extracted, copied, reproduced or otherwise distributed in any way. Otherwise you are responsible for all consequences.

All rights are reserved.

Specifications of the product described herein are subject to modification without notice. Please consult your local agent for the latest specifications before placing a purchase order.

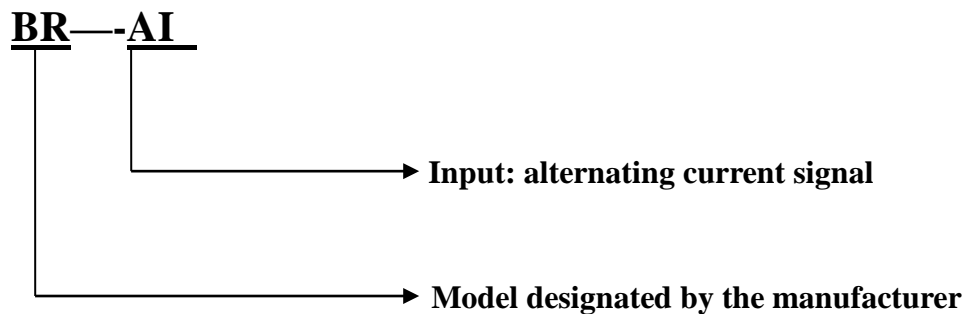
Contents

1. Product overview	4
2. Description of product model	4
3. General technical conditions.....	4
4. Outline and installation	5
4.1 Lengths of different Rogowski coils.....	5
4.2 BR-AI alternating current transducer.....	5
5. Mode of connection	5
6. Mode of installation	6
7. Ordering information	6

1. Product overview

BR Series Transducers can implement the real-time measurement of the high alternating current in the power grid in the electromagnetic induction principle and then isolate and transducer it into a DC output signal by means of true RMS and linear compensation technologies. The power supply of 24VDC is safe and widely used in the metallurgical, electro-plating, welding and similar fields.

2. Description of product model



3. General technical conditions

Technical parameters		Index
Input		Alternating current 200A-20kA
Output	Nominal value	DC 4-20mA
	Load resistance	$\leq 500\Omega$
	Output ripple	Peak of output ripple $\leq 100\text{mV}$
Working power		DC24V permissible range:21.6 V-26.4V
Power consumption		$\leq 0.5\text{W}$
Accuracy class		Class 0.5
Temperature shift factor		$\leq 200\text{ppm}$
Response time		$\leq 500\text{mS}$
Mode of installation		Supported on the bracket

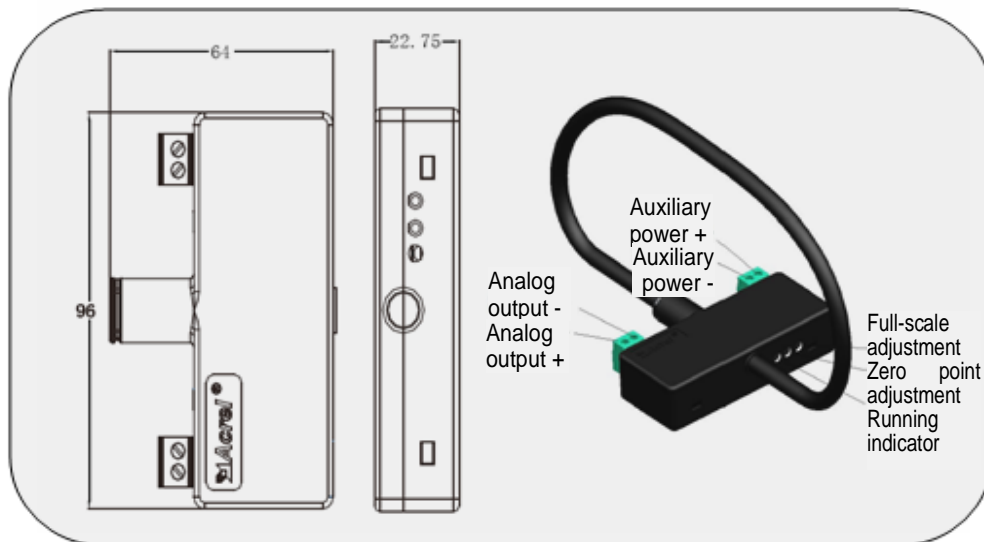
4. Outline and installation

4.1 Lengths of different Rogowski coils

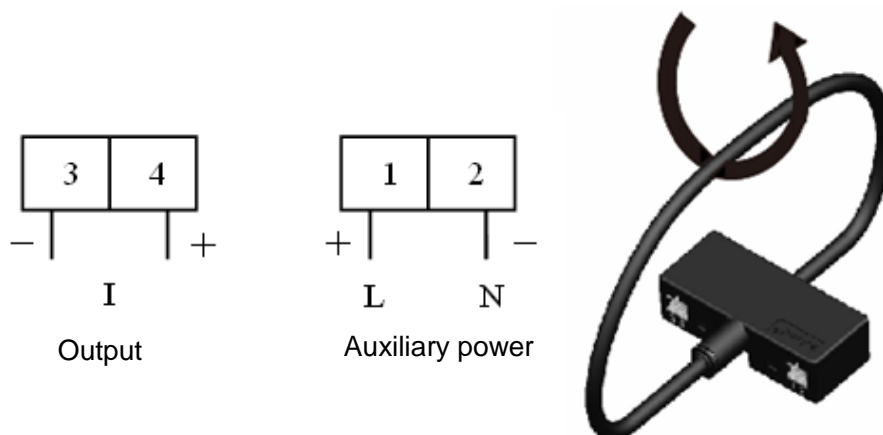
Range of input current	Length of Rogowski coil (mm)
AC 200A--1000A	350
AC 1200A--2000A	370
AC 2500A--5000A	450
AC 6300A--20000A	600

Note: The length can be customized according to customer's demand.

4.2 BR-AI alternating current transducer

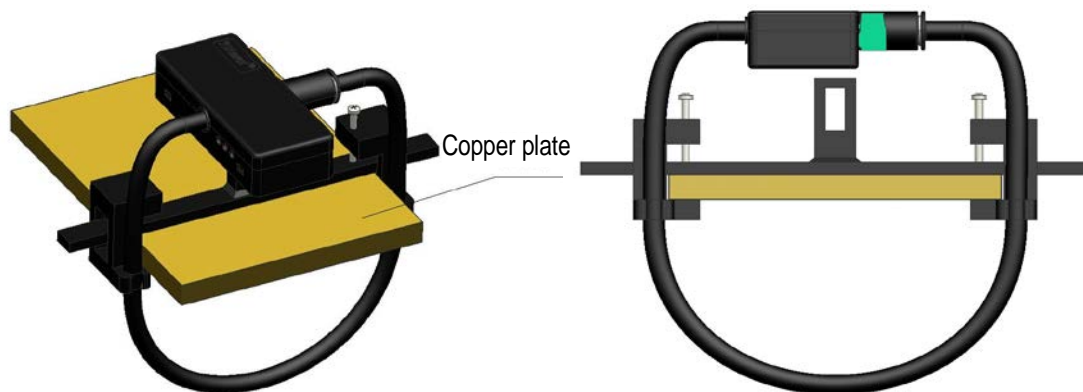


5. Mode of connection



Note: The specific wiring shall be subject to the wiring diagram on the housing of your product.

6. Mode of installation



7. Ordering information

Example 1 BR-AI Rogowski coil transducer

Auxiliary power: DC24V

Input: AC 1000A

Output: DC 4-20mA

Accuracy class: Class 0.5

Length of coil: 350mm

Headquarters: Acrel Co., LTD.

Address: No.253 Yulv Road Jiading District, Shanghai , China

TEL.: 0086-21-69158338 0086-21-69156052 0086-21-59156392
0086-21-69156971

Fax: 0086-21-69158303

Web-site: www.acrel-electric.com

E-mail: ACREL008@vip.163.com

Postcode: 201801

Manufacturer: Jiangsu Acrel Electrical Manufacturing Co., LTD.

Address: No.5 Dongmeng Road,Dongmeng industrial Park, Nanzha
Street, Jiangyin City, Jiangsu Province, China

TEL./Fax: 0086-510-86179970

Web-site: www.jsacrel.com

Postcode: 214405

E-mail: JY-ACREL001@vip.163.com